

① ELECTRICAL SITE PLAN
 1" = 10'-0"

REVISIONS	BY

NOTES

City of Fort Bragg
 Received
 DEC 22 2023

REMODELING PLANS FOR:

PAPA BEAR'S PIZZA
 228 N. MAIN ST.
 FORT BRAGG, CA
 95437

A.P. #008-153-28-00

DATE	DECEMBER 22, 2023
SCALE	AS NOTED
DRAWN BY	KBG
CHECKED BY	POOS
SHEET	

ELECTRICAL SITE PLAN

E-1
 OF - SHEETS



MERU Series

LED GENERAL & EMERGENCY LIGHTING

PROJECT: _____
 FIXTURE TYPE: _____
 LOCATION: **BA**
 CONTACT/PHONE: _____

PRODUCT DESCRIPTION

The MERU Series is an architectural, low-profile outdoor light, offering “normally On” AC and emergency lighting with powerful LED illumination. The housing is fully sealed and gasketed, and has an IP65 rating. Designed for wall mounting with universal K/O pattern in back-plate for easy installation to most standard size junction boxes. Includes a single 1/2” NPT conduit entry in the top, center of the housing. Illumination provided by 8 high power LEDs which achieve 1,600 lumens in AC and 600 lumens in emergency. LED color at 4000K.

PRODUCT SPECIFICATIONS

CONSTRUCTION
 Die cast aluminum housing with superior heat sink • Scratch resistant Polyester powder coat finish • UV resistant polycarbonate lens • Snap-fit housing and mounting plate are held together by four stainless steel clips • Universal mounting pattern molded into the back plate • 1/2” threaded top access for surface conduit installation • Silicone rubber seal with hollow center, shape adaptive design protects the electrical components • Junction box neoprene seal is attached to the back plate for a weather proof installation • Dark Bronze or White textured finish.

ELECTRICAL
 Dual Voltage 120-277V 60Hz input • Solid state charging and switching • Battery low voltage disconnect • AC power indicator and test switch at the bottom of the unit • Standard with Self Diagnostics to monitor proper operation.

LAMPS
 Supplied with eight (8) LG SMD 4000K LED'S • L70 > 72,000hours • 17 Watts total (32 Watts with IH option) • 1600 Lumens in AC mode, 600 Lumens in Emergency mode • Full cut-off optics for Dark Sky compliance

BATTERY
 Maintenance-free, long-life rechargeable NiCad battery will operate fixture for a minimum of 90 minutes in the event of a power outage • 24 hour recharge after 90 minute discharge.

CODE COMPLIANCE
 UL924 • Listed for wet location applications (0°C-50°C) • Optional "IH" cold weather package for (-40°C-50°C) • IP65 Rated • NFPA 101 Life Safety Code compliant • NEC and OSHA compliant • DLC Listed • RoHS Compliant

WARRANTY
 5-year warranty. Product specifications subject to change without notice.

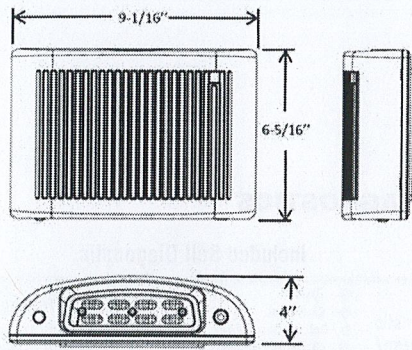
INSTALLATION

MOUNTING
 Suitable for indoor or outdoor wall mounting on junction box, or with surface conduit using the supplied 1/2” threaded top access • Mounting plate has molded universal mounting pattern for simple mounting over junction box.

ORDERING INFORMATION

model	operation mode	housing color	options
MERU-LED	ACEM = General & Emergency Lighting AC = General Lighting	DB = Dark Bronze WH = White BK = Black NK = Nickel	Self-Diagnostics & Photocell (Included Standard) IH = Internal Heater

Ordering Example: MERU-ACEM-DB



ACEM Model (NiCad Battery Backup)

Integral photocell: Unit operates as a dusk to dawn luminaire and in the event of a power failure as an emergency light.
Remote Switched: The integral photocell can be defeated to allow remote switching for normal operation. In the event of a power failure unit operates as an emergency light.

City of Fort Bragg
 Received
 DEC 27 2023





MERU Series

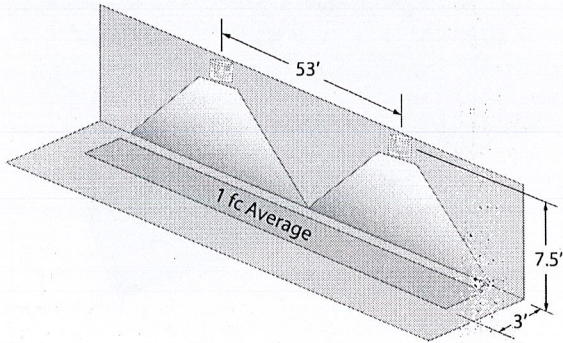
LED GENERAL & EMERGENCY LIGHTING



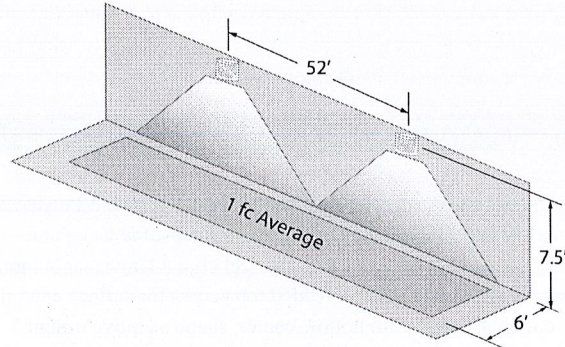
PROJECT: _____
 FIXTURE TYPE: _____
 LOCATION: _____
 CONTACT/PHONE: _____

PHOTOMETRICS

3ft Path Spacing



6ft Path Spacing



SELF DIAGNOSTICS

Included Self Diagnostic

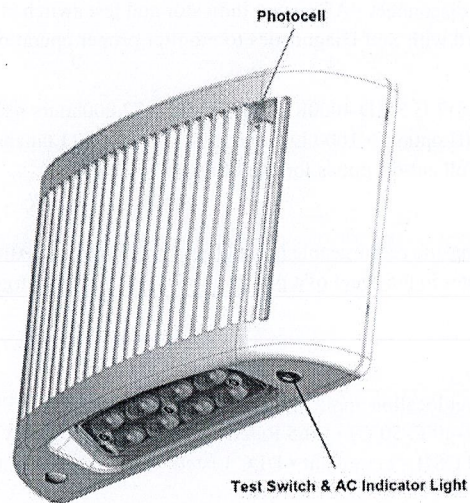
Diagnostic Indicator / Test Switch

- Ready
- In Test
- Battery Circuit Fault
- Battery Capacity Failure
- Charger Failure
- Transformer Fault
- Lamp Failure

Manual Testing

- Press button once - 1 minute test
- Press button twice - 5 minute test
- Press button 3 times - 30 minute test
- Press button 4 times - 90 minute test

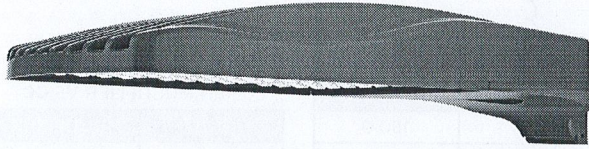
Full self-test, self-diagnostic system is standard in every unit, performs a monthly test as well as continuously monitoring all functions to ensure reliability, a manual test may be initiated at any time



City of Fort Bragg
 Received
 DEC 27 2023

Project Name Type A	Type
Catalog #	Date

VIENTO AREA LUMINARE



APPLICATIONS

- Area Lighting
- Retail Spaces
- Street Lighting
- Auto Dealerships & Sales Lots
- Parks & Recreation Areas
- Safety & Security

APPROVALS

- ETL Listed
- Complies with UL 1598 and CSA C22.2
- Suitable for wet locations
- 3G Vibration Rated
- IP66 Rated
- BAA Compliant
- RoHS Compliant
- ATAL Tested www.ata-labs.com
- Select models DLC Qualified. For a complete list of DLC Qualified products visit: www.xtralight.com/dlc or apl.designlights.org



FEATURES

- Lumen packages ranging from 4000L to 43000L.
- Outstanding photometric performance results in excellent uniformity, optimal pole spacing and lower power density.
- Low profile architectural design offers a contemporary appearance with excellent light output.
- Enhanced foot candles delivered utilizing multiple optical options.

CONSTRUCTION

- Thermal management achieved with a one-piece die-cast aluminum has integral heat sink fins and a hinged electrical compartment with tool less entry.
- Thermoset powder coat, available in bronze, white or custom colors (consult factory)
- IP66, precision molded, polycarbonate optics providing impact resistance and UV stabilization.

ELECTRICAL

- Voltage: 120-277V or 347-480V AC input
- Driver: Class 2, constant current, calibrated to lumen package (0-10V dimming standard)
- Surge Protection: 20kA standard.
- Operating temperature: -40°C to +50°C (-40°F to +122°F)

CONTROLS

- Programmable smart sensor and twist-lock receptacle control options available.

MOUNTING

- Integral arm with key hole slot facilitates quick and easy installation.
- Included nut plate eliminates loose hardware in the pole and reduces installation labor.
- Adjustable slip fitter, round pole adaptor, universal pole adaptor, and other mounting options available as accessories.

WARRANTY

- Backed by XtraLight's limited 5-year warranty.

ORDER LOGIC

SAMPLE CATALOG NUMBER: **VNTLEDSO10252MNDIM320XXBZHO**

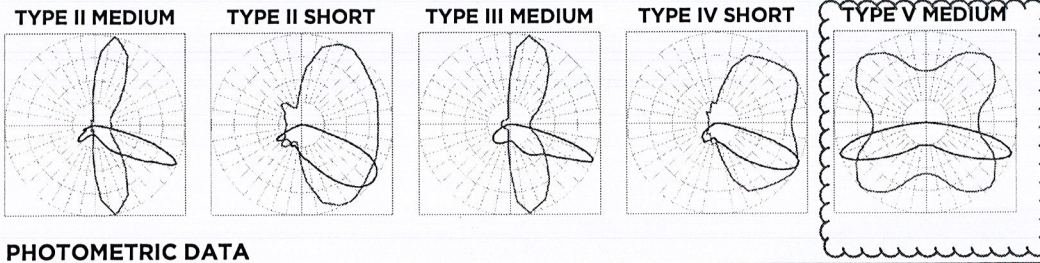
SIZE	MODEL	OPTICS	ORIENTATION	DRIVER	CCT	20 SURGE	CONTROLS	MOUNTING ¹	FINISH	HO	OPTIONS
S01 Small	025	2M Type II	N Normal (forward)	DIM Dim 0-10V, 120-277V	3 3000K	20 20kA Surge	X None	X Standard	BZ Bronze	HO	HS House-side Shield
	052	Medium									
	072	2S Type II	L ¹ Left R ¹ Right	HVD ² Dim 0-10V, 347-480V	4 4000K	5 5000K	7 ³ 7-Pin Twist-Lock	A Adjustable Slip Fitter	WH White	CC ⁵ Custom	
	100	Short									
M02 Medium	100	3M Type III					B Smart Sensor, 20'H/40'D D Smart Sensor, 40'H/100'D				
	144	Medium									
	200	4S Type IV Short									
L03 Large	231	5M Type V Square									
	300	Medium									

1. L & R options not available with 5M.
2. 48D not available with 231 model.
3. Photocontrol not included with 7 option. Photocontrol or shorting cap is required for operation.

VIENTO AREA LUMINARE VNTLED

A sign

ISO LINES



PHOTOMETRIC DATA

SIZE	MODEL	CCT	LENS / OPTICS	LUMENS	WATTAGE	EFFICACY
Small	025	5000K	2M	4099	27.3	150.0
			2S	4139	27.3	152.0
			3M	4099	27.3	150.0
			4S	4165	27.3	153.0
			5M	4284	27.3	157.0
	052		2M	7568	52.6	144.0
			2S	7642	52.6	145.0
			3M	7568	52.6	144.0
			4S	7690	52.6	146.0
			5M	7910	52.6	150.0
	072		2M	10779	77.0	140.0
			2S	10885	77.0	141.0
			3M	10779	77.0	140.0
			4S	10954	77.0	142.0
			5M	11267	77.0	146.0
	100		2M	14318	106.5	134.0
			2S	14459	106.3	136.0
			3M	14318	106.4	135.0
			4S	14550	106.3	137.0
			5M	14966	106.4	141.0
Medium	100	5000K	2M	15274	103.7	147.0
			2S	15366	103.7	148.0
			3M	15083	103.7	145.0
			4S	15313	103.7	148.0
			5M	15806	103.7	152.0
	144		2M	21697	153.8	141.0
			2S	21827	153.8	142.0
			3M	21424	153.8	139.0
			4S	21752	153.8	141.0
			5M	22452	153.8	146.0
	200		2M	28503	211.4	135.0
			2S	28674	211.4	136.0
			3M	28145	211.4	133.0
			4S	28575	211.4	135.0
			5M	29495	211.4	140.0

LUMEN MULTIPLIER VS CCT

CCT	MULTIPLIER
3000K	0.89
4000K	0.98
5000K	1.0

VIENTO AREA LUMINARE VNTLED

PHOTOMETRIC DATA

SIZE	MODEL	CCT	LENS / OPTICS	LUMENS	WATTAGE	EFFICACY
Large	231	5000K	2M	35177	246.1	143.0
			2S	35431	246.1	144.0
			3M	34922	246.1	142.0
			4S	35570	246.1	145.0
			5M	35852	246.1	146.0
	300		2M	41340	323.4	128.0
			2S	41638	323.4	129.0
			3M	41040	323.4	127.0
			4S	41719	323.4	129.0
			5M	43505	323.7	134.0

LUMEN MULTIPLIER VS CCT

CCT	MULTIPLIER
3000K	0.89
4000K	0.98
5000K	1.0

DIMENSIONAL DATA

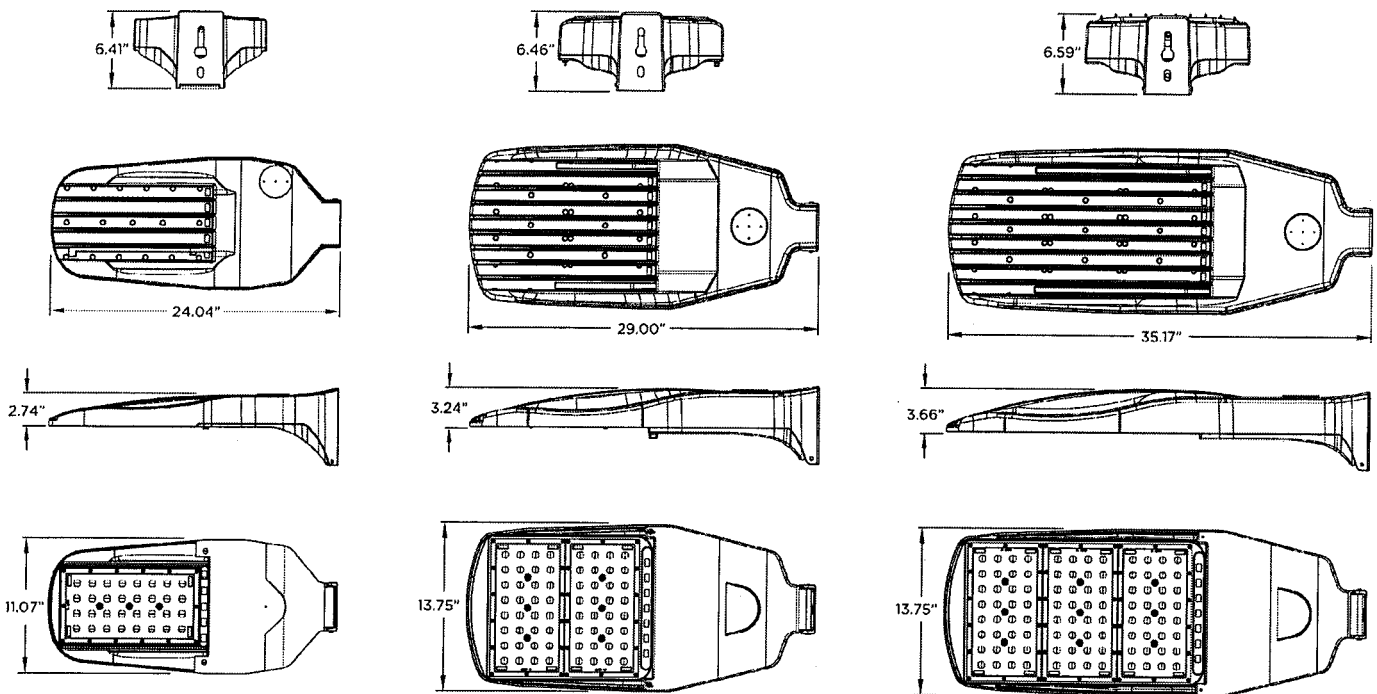
STANDARD SIZES

WEIGHT:
Small = 11 LB
Medium = 29 LB
Large = 39 LB

SMALL

MEDIUM

LARGE

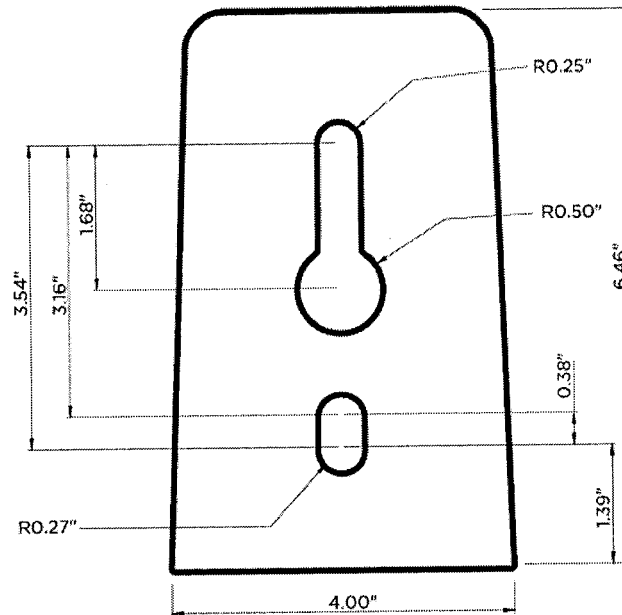


- Dimensional Data shows the end, top, side, and bottom views for all standard sizes.
- All weights are rounded up to the nearest 0.5 lb.





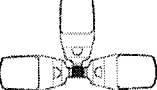

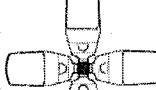
VIENTO AREA LUMINARE VNTLED

MOUNTING

STANDARD MOUNTING



EPA RATINGS

	SINGLE	DUAL SSA	TWO AT 90	TWO AT 180	THREE AT 90	THREE AT 120	FOUR AT 90
							
SMALL	0.68 sq. ft.	0.68 sq. ft.	1.02 sq. ft.	1.36 sq. ft.	1.7 sq. ft.	1.45 sq. ft.	1.7 sq. ft.
MEDIUM	1.47 sq. ft.	1.75 sq. ft.	2.21 sq. ft.	2.95 sq. ft.	3.68 sq. ft.	3.16 sq. ft.	3.68 sq. ft.
LARGE	1.79 sq. ft.	2.069 sq. ft.	2.68 sq. ft.	3.59 sq. ft.	4.47 sq. ft.	3.84 sq. ft.	4.47 sq. ft.

VIENTO AREA LUMINARE VNTLED

ACCESSORIES (SOLD SEPARATELY)

VNT-ASF

FINISH

BZ Bronze
WH White

DESCRIPTION

- Adjustable Slip Fitter
- Must select (A) in the order logic under the Mounting section.
- 180° range of motion in 10° increments.
- EPA: 0.127 sq. ft. - 6.0 LB



VNT-RPA

FINISH

BZ Bronze
WH White

DESCRIPTION

- Round Pole Adaptor
- Allows up to four Viento fixtures to be mounted to one pole.
- 3" to 5" Diameter
- EPA: 0.03 sq. ft. - 0.75 LB



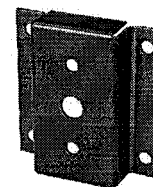
VNT-WB

FINISH

BZ Bronze
WH White

DESCRIPTION

- Wall Bracket



VNT-UPM

<input type="text"/>	<input type="text"/>
----------------------	----------------------

POLE

FINISH

SQ Square
RD Round

BZ Bronze
WH White

DESCRIPTION

- Universal Pole Mount Adaptor



VNT-TWB

FINISH

BZ Bronze
WH White

DESCRIPTION

- Tenon Wall Bracket Horizontal Mount
- 8" Square Plate - 2 3/8" OD
- Must be ordered with the Adjustable Slip Fitter (ASF) accessory.



VNT-SSA

FINISH

BZ Bronze
WH White

DESCRIPTION

- Shoulder-to-Shoulder Adaptor
- EPA: 0.90 sq. ft. - 27 LB



VNT-TMA

<input type="text"/>	<input type="text"/>	<input type="text"/>	<input type="text"/>
----------------------	----------------------	----------------------	----------------------

POLE

FINISH

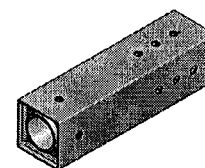
SIZE

MOUNTING

S Square	BZ Bronze	4 4"	01 1 Fixture
R Round	WH White	5 5"	28 2 Fixtures at 180°
		6 6"	29 2 Fixtures at 90°
			39 3 Fixtures at 90°
			32 3 Fixtures at 180°
			49 4 Fixtures at 90°

DESCRIPTION

- Tenon Mount Adaptor
- Dimensions (S): 4"/5"/6"
- Dimensions (R): 4"/5" DIA
- EPA: 0.4 sq. ft. 10 - 16 LB
- VNT-TMAR includes Round Pole Adaptor (VNT-RPA) depending on mounting count.

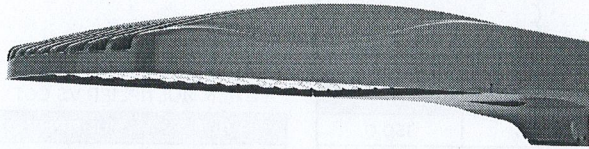


PROJECT INFORMATION

Project Name	Type
Catalog #	Date

Type A-1

VIENTO AREA LUMINARE



APPLICATIONS

- Area Lighting
- Retail Spaces
- Street Lighting
- Auto Dealerships & Sales Lots
- Parks & Recreation Areas
- Safety & Security

APPROVALS

- ETL Listed
- Complies with UL 1598 and CSA C22.2
- Suitable for wet locations
- 3G Vibration Rated
- IP66 Rated
- BAA Compliant
- RoHS Compliant
- ATAL Tested www.ata-labs.com
- Select models DLC Qualified. For a complete list of DLC Qualified products visit: www.xtralight.com/dlc or qpl.designlights.org



FEATURES

- Lumen packages ranging from 4000L to 43000L.
- Outstanding photometric performance results in excellent uniformity, optimal pole spacing and lower power density.
- Low profile architectural design offers a contemporary appearance with excellent light output.
- Enhanced foot candles delivered utilizing multiple optical options.

CONSTRUCTION

- Thermal management achieved with a one-piece die-cast aluminum has integral heat sink fins and a hinged electrical compartment with tool less entry.
- Thermoset powder coat, available in bronze, white or custom colors (consult factory)
- IP66, precision molded, polycarbonate optics providing impact resistance and UV stabilization.

ELECTRICAL

- Voltage: 120-277V or 347-480V AC input
- Driver: Class 2, constant current, calibrated to lumen package (0-10V dimming standard)
- Surge Protection: 20kA standard.
- Operating temperature: -40°C to +50°C (-40°F to +122°F)

CONTROLS

- Programmable smart sensor and twist-lock receptacle control options available.

MOUNTING

- Integral arm with key hole slot facilitates quick and easy installation.
- Included nut plate eliminates loose hardware in the pole and reduces installation labor.
- Adjustable slip fitter, round pole adaptor, universal pole adaptor, and other mounting options available as accessories.

WARRANTY

- Backed by XtraLight's limited 5-year warranty.

ORDER LOGIC

SAMPLE CATALOG NUMBER: VNTLEDSO10252MNDIM320XXBZHO

SIZE	MODEL	OPTICS	ORIENTATION	DRIVER	CCT	20	20	CONTROLS	MOUNTING ⁴	FINISH	HIGH OUTPUT	OPTIONS
S01 Small	025	2M Type II	N Normal (forward) L ¹ Left R ¹ Right	DIM Dim 0-10V, 120-277V HVD ² Dim 0-10V, 347-480V	3 3000K 4 4000K 5 5000K	20	20kA Surge	X None	X Standard A Adjustable Slip Fitter	BZ Bronze WH White CC ⁵ Custom	HO	HS House-side Shield
	052	Medium						7 ³ 7-Pin				
	072	2S Type II						B Smart Sensor, 20'H/40'D				
M02 Medium	100	3M Type III										
	144	Medium										
L03 Large	200	4S Type IV										
	231	5M Type V										
	300	Square Medium										

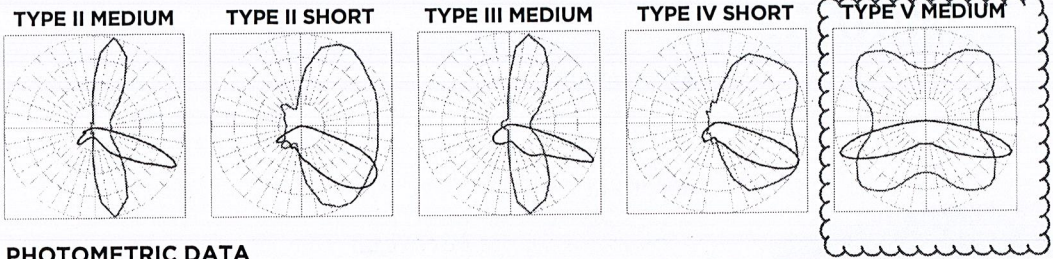
1. L & R options not available with 5M.
2. 48D not available with 231 model.
3. Photocontrol not included with 7 option. Photocontrol or shorting cap is required for operation.

VIENTO AREA LUMINARE

VNTLED

1.4 3.9 11

ISO LINES



PHOTOMETRIC DATA

SIZE	MODEL	CCT	LENS / OPTICS	LUMENS	WATTAGE	EFFICACY
Small	025	5000K	2M	4099	27.3	150.0
			2S	4139	27.3	152.0
			3M	4099	27.3	150.0
			4S	4165	27.3	153.0
			5M	4284	27.3	157.0
	052		2M	7568	52.6	144.0
			2S	7642	52.6	145.0
			3M	7568	52.6	144.0
			4S	7690	52.6	146.0
			5M	7910	52.6	150.0
	072		2M	10779	77.0	140.0
			2S	10885	77.0	141.0
			3M	10779	77.0	140.0
			4S	10954	77.0	142.0
			5M	11267	77.0	146.0
	100		2M	14318	106.5	134.0
			2S	14459	106.3	136.0
			3M	14318	106.4	135.0
			4S	14550	106.3	137.0
			5M	14966	106.4	141.0
Medium	100	5000K	2M	15274	103.7	147.0
			2S	15366	103.7	148.0
			3M	15083	103.7	145.0
			4S	15313	103.7	148.0
			5M	15806	103.7	152.0
	144		2M	21697	153.8	141.0
			2S	21827	153.8	142.0
			3M	21424	153.8	139.0
			4S	21752	153.8	141.0
			5M	22452	153.8	146.0
	200		2M	28503	211.4	135.0
			2S	28674	211.4	136.0
			3M	28145	211.4	133.0
			4S	28575	211.4	135.0
			5M	29495	211.4	140.0

LUMEN MULTIPLIER VS CCT

CCT	MULTIPLIER
3000K	0.89
4000K	0.98
5000K	1.0

VIENTO AREA LUMINARE VNTLED

PHOTOMETRIC DATA

SIZE	MODEL	CCT	LENS / OPTICS	LUMENS	WATTAGE	EFFICACY
Large	231	5000K	2M	35177	246.1	143.0
			2S	35431	246.1	144.0
			3M	34922	246.1	142.0
			4S	35570	246.1	145.0
			5M	35852	246.1	146.0
	300		2M	41340	323.4	128.0
			2S	41638	323.4	129.0
			3M	41040	323.4	127.0
			4S	41719	323.4	129.0
			5M	43505	323.7	134.0

CCT	MULTIPLIER
3000K	0.89
4000K	0.98
5000K	1.0

DIMENSIONAL DATA

STANDARD SIZES

WEIGHT:

Small = 11 LB

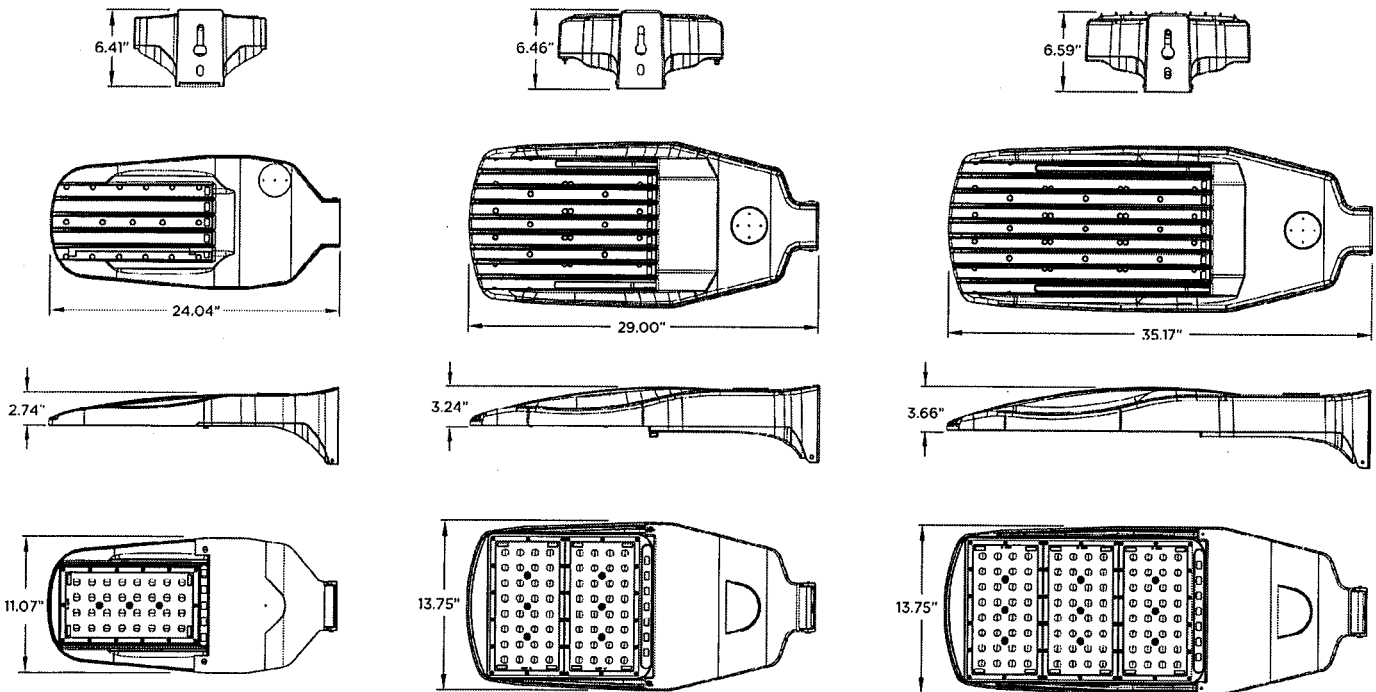
Medium = 29 LB

Large = 39 LB

SMALL

MEDIUM

LARGE

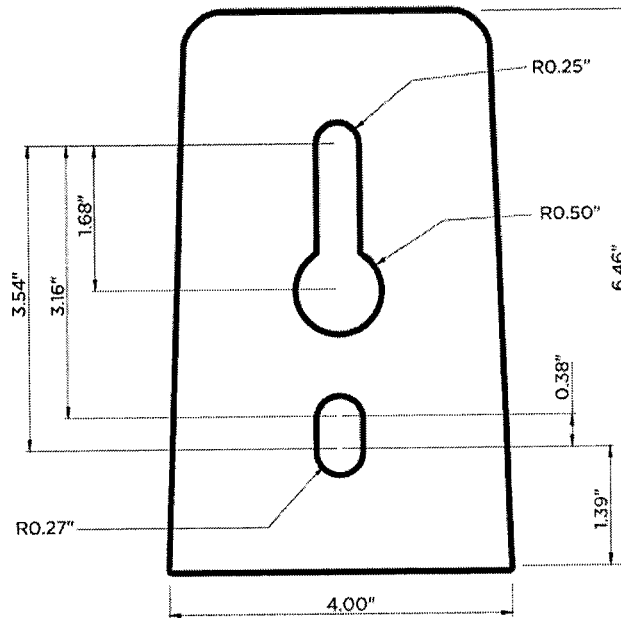


- Dimensional Data shows the end, top, side, and bottom views for all standard sizes.
- All weights are rounded up to the nearest 0.5 lb.


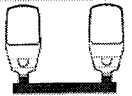
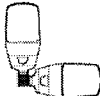

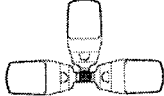
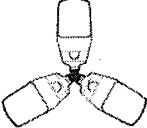
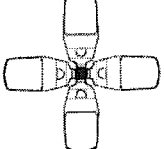
VIENTO AREA LUMINARE VNTLED

MOUNTING

STANDARD MOUNTING



EPA RATINGS

	SINGLE	DUAL SSA	TWO AT 90	TWO AT 180	THREE AT 90	THREE AT 120	FOUR AT 90
							
SMALL	0.68 sq. ft.	0.68 sq. ft.	1.02 sq. ft.	1.36 sq. ft.	1.7 sq. ft.	1.45 sq. ft.	1.7 sq. ft.
MEDIUM	1.47 sq. ft.	1.75 sq. ft.	2.21 sq. ft.	2.95 sq. ft.	3.68 sq. ft.	3.16 sq. ft.	3.68 sq. ft.
LARGE	1.79 sq. ft.	2.069 sq. ft.	2.68 sq. ft.	3.59 sq. ft.	4.47 sq. ft.	3.84 sq. ft.	4.47 sq. ft.

VIENTO AREA LUMINARE VNTLED

ACCESSORIES (SOLD SEPARATELY)

VNT-ASF

FINISH

BZ Bronze
WH White

DESCRIPTION

- Adjustable Slip Fitter
- Must select (A) in the order logic under the Mounting section.
- 180° range of motion in 10° increments.
- EPA: 0.127 sq. ft. - 6.0 LB



VNT-RPA

FINISH

BZ Bronze
WH White

DESCRIPTION

- Round Pole Adaptor
- Allows up to four Viento fixtures to be mounted to one pole.
- 3" to 5" Diameter
- EPA: 0.03 sq. ft. - 0.75 LB



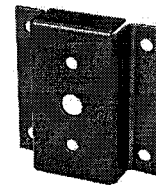
VNT-WB

FINISH

BZ Bronze
WH White

DESCRIPTION

- Wall Bracket



VNT-UPM

<input type="text"/>	<input type="text"/>
----------------------	----------------------

POLE

SQ Square
RD Round

FINISH

BZ Bronze
WH White

DESCRIPTION

- Universal Pole Mount Adaptor



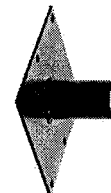
VNT-TWB

FINISH

BZ Bronze
WH White

DESCRIPTION

- Tenon Wall Bracket Horizontal Mount
- 8" Square Plate - 2 3/8" OD
- Must be ordered with the Adjustable Slip Fitter (ASF) accessory.



VNT-SSA

FINISH

BZ Bronze
WH White

DESCRIPTION

- Sholder-to-Sholder Adaptor
- EPA: 0.90 sq. ft. - 27 LB



VNT-TMA

<input type="text"/>	<input type="text"/>	<input type="text"/>	<input type="text"/>
----------------------	----------------------	----------------------	----------------------

POLE

S Square
R Round

FINISH

BZ Bronze
WH White

SIZE

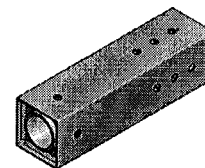
4 4"
5 5"
6 6"

MOUNTING

01 1 Fixture
28 2 Fixtures at 180°
29 2 Fixtures at 90°
39 3 Fixtures at 90°
32 3 Fixtures at 180°
49 4 Fixtures at 90°

DESCRIPTION

- Tenon Mount Adaptor
- Dimensions (S): 4"/5"/6"
- Dimensions (R): 4"/5" DIA
- EPA: 0.4 sq. ft. 10 - 16 LB
- VNT-TMAR includes Round Pole Adaptor (VNT-RPA) depending on mounting count.





Catalog Number
Notes Type CE
Type

FEATURES & SPECIFICATIONS

INTENDED USE — The OLCFM provides years of maintenance-free general illumination for residential and commercial outdoor applications such as porches, covered walkways and store entrances.

CONSTRUCTION — Rugged cast-aluminum top-plate and outer-ring are protected by a thermostat powder coat finish that provides superior resistance to corrosion and weathering. A tightly controlled multi-stage process ensures a minimum 3 mils thickness for a finish that can withstand extreme climate changes without cracking or peeling.

Polycarbonate LED lens/cover protects LEDs.

Fixture weight = 2.98 lbs.

OPTICS — 96 high-performance LEDs produces up to 1077 lumens and maintain 70% of light output at 50,000 hours of service.

(LED lifespan based on IESNA LM-80-08 results and calculated per IESNA TM-21-11 methodology.)

White acrylic diffuser provides a soft white light at 4000K CCT

See Lighting Facts Labels for specific fixture performance.

ELECTRICAL — Fixture operates at 120 volts, 60 Hz.

Standard input = 16.6 watts

Operating temperature -40°C to 40°C.

Amps @ 120V = .131.

Surge protection = 2.5kV.

INSTALLATION — Mounts easily to existing junction box (by others).

LISTINGS — UL Listed to U.S. and Canadian safety standards for wet locations.

Designed for ceiling or wall mounting more than 4' above the ground.

Tested in accordance with IESNA LM-79 and LM-80 standards.

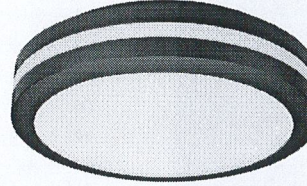
WARRANTY — 5-year limited warranty. This is the only warranty provided and no other statements in this specification sheet create any warranty of any kind. All other express and implied warranties are disclaimed. Complete warranty terms located at:

www.acuitybrands.com/support/warranty/terms-and-conditions

Note: Actual performance may differ as a result of end-user environment and application.

All values are design or typical values, measured under laboratory conditions at 25 °C.

Specifications subject to change without notice.



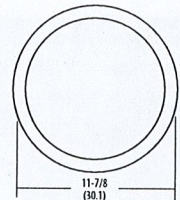
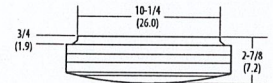
CONTRACTOR TO PROVIDE WITH INTEGRAL CEC COMPLIANT EMERGENCY BATTERY BACKUP

All dimensions are inches (centimeters) unless otherwise indicated.

Outdoor General Purpose

OLCFM

OUTDOOR LED CAST FLUSH MOUNT



ORDERING INFORMATION

All configurations of this product are considered "standard" and have short lead times.

Example: OLCFM 15 DDB

OLCFM	Light Engine	Color Temperature (CCT) ¹	Voltage	Finish
OLCFM	15	(blank) 4000K	(blank) 120V	DDB Dark bronze

Notes

1 Nominal Correlated Color Temperature (CCT) per ANSI C78.377-2008.

OLCFM Outdoor LED Cast Flush Mount

PHOTOMETRIC DIAGRAMS

To see complete photometric reports or download .ies files for this product, visit www.Lithonia.com. Tested in accordance with IESNA LM79 and LM80 standards.

