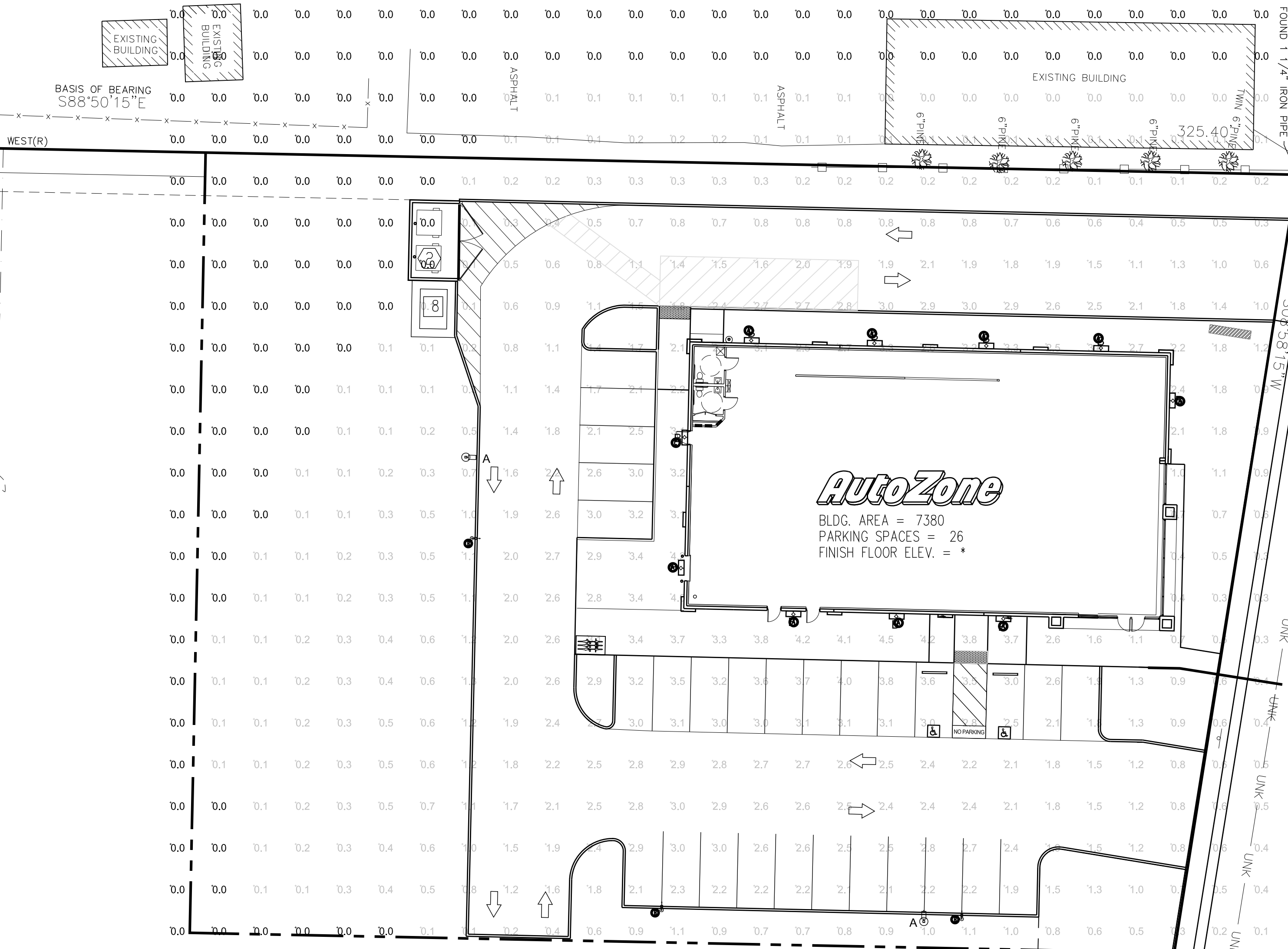


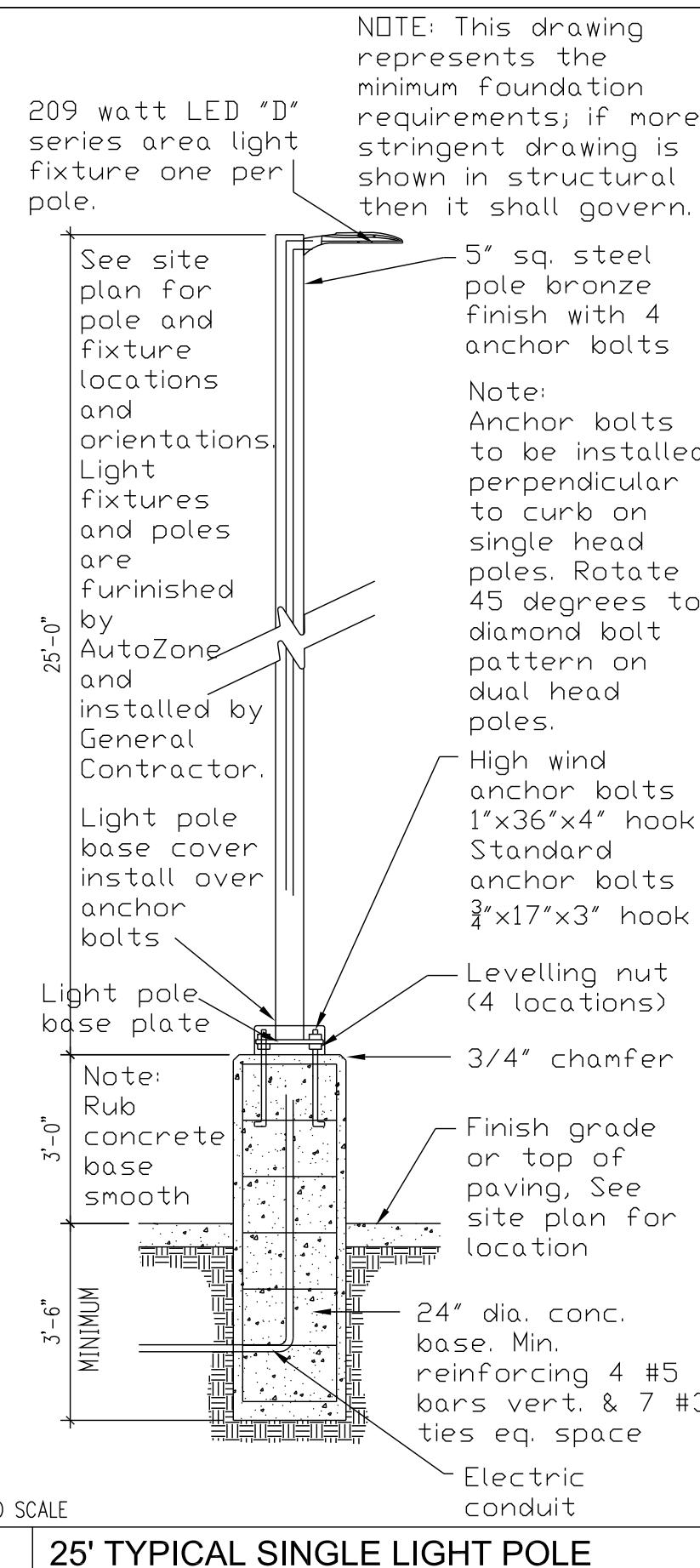
DAVID WAYNE MAYHEW/TATIANA MAYHEW
PARCEL NO. 018-440-57-00



AutoZone
BLDG. AREA = 7380
PARKING SPACES = 26
FINISH FLOOR ELEV. = *

Symbol	Label	Qty	Catalog Number	Description	Lamp	File	Lumens	LLF	Watts	Height
⊙	A	9	DSXW1 LED 10C 1000-40K T3M MVOLT	DSXW1 LED WITH 1 LIGHT ENGINE, 10 LED's, 1000mA DRIVER, 4000K LED, TYPE 3 MEDIUM OPTIC	LED	DSXW1_LED_1000_40K_T3M_MVOLT_1.svs	Absolute	0.95	40	12'-0" a.f.f.
⬆	B	3	DSX1 LED 60C 1000-40K T4M MVOLT HS	DSX1 LED WITH (2) 30 LED LIGHT ENGINES, TYPE T4M OPTIC, 4000K, @ 1050mA WITH HOUSE SIDE SHIELD	LED	DSX1_LED_60_C_1000_40K_T4M_MVOLT_HS.svs	Absolute	0.95	200	28'-0" O.A. Height
⊙	C	1	DSXW1 LED 10C 530 1000-40K T3M MVOLT	DSXW1 LED WITH 10 LED'S, 1000mA DRIVER, 4000K LED, TYPE 3 MEDIUM OPTIC	LED	DSXW1_LED_10C_530_40K_T3M_MVOLT_1.svs	Absolute	0.95	20	12'-0" a.f.f.

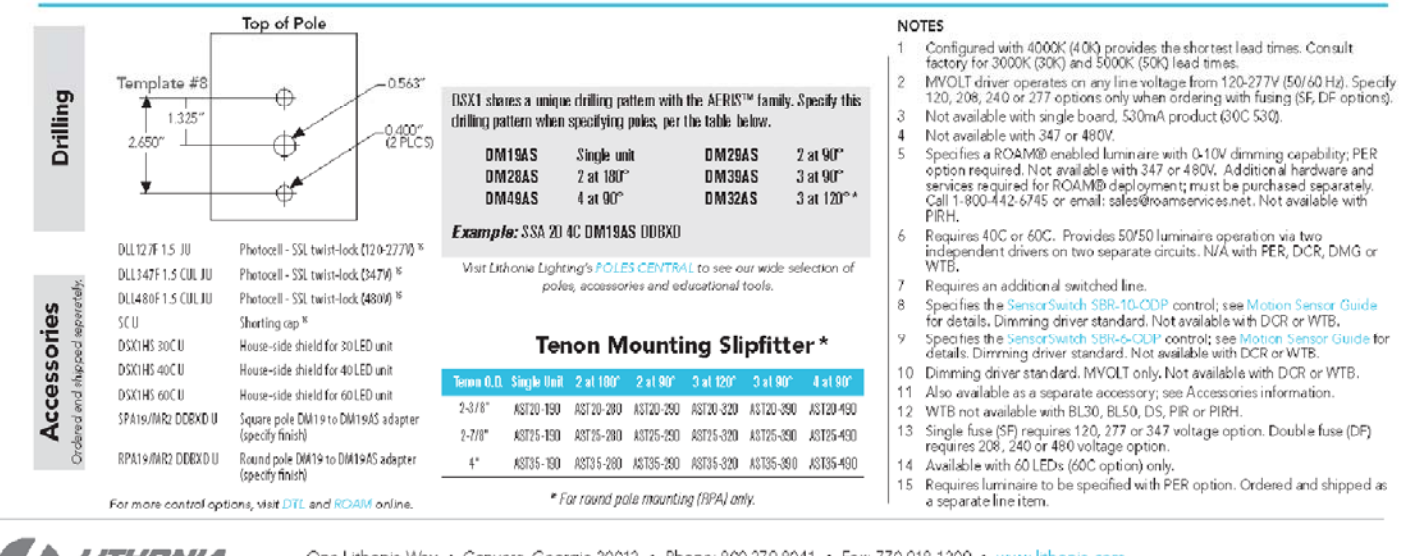
STATISTICS					
Description	Symbol	Avg	Max	Min	Avg/Min
Calc. Zone	+	0.9 fc	4.5 fc	0.0 fc	N/A



Series	Performance Package	Distribution	Voltage	Mounting	Control Options	Other Options	Finish (standard)
DSXW1 LED	10C 10 LEDs (line voltage) 200W	T25 Type 1 Short	120V 120V	SHIPPED INCLUDED Surface mounting	PE Photoelectric cell, 10' dusk/dawn sensor	SHIPPED INSTALLED SF Single face (120, 277V) ¹	DBXDD Dark bronze
	20C 20 LEDs (line voltage) 400W	T25 Type 1 Short	120V 120V	SHIPPED INCLUDED Surface mounting	PE Photoelectric cell, 10' dusk/dawn sensor	SHIPPED INSTALLED SF Single face (120, 277V) ¹	DBXDD Dark bronze
	30C 30 LEDs (line voltage) 600W	T25 Type 1 Short	120V 120V	SHIPPED INCLUDED Surface mounting	PE Photoelectric cell, 10' dusk/dawn sensor	SHIPPED INSTALLED SF Single face (120, 277V) ¹	DBXDD Dark bronze
	40C 40 LEDs (line voltage) 800W	T25 Type 1 Short	120V 120V	SHIPPED INCLUDED Surface mounting	PE Photoelectric cell, 10' dusk/dawn sensor	SHIPPED INSTALLED SF Single face (120, 277V) ¹	DBXDD Dark bronze
	50C 50 LEDs (line voltage) 1000W	T25 Type 1 Short	120V 120V	SHIPPED INCLUDED Surface mounting	PE Photoelectric cell, 10' dusk/dawn sensor	SHIPPED INSTALLED SF Single face (120, 277V) ¹	DBXDD Dark bronze



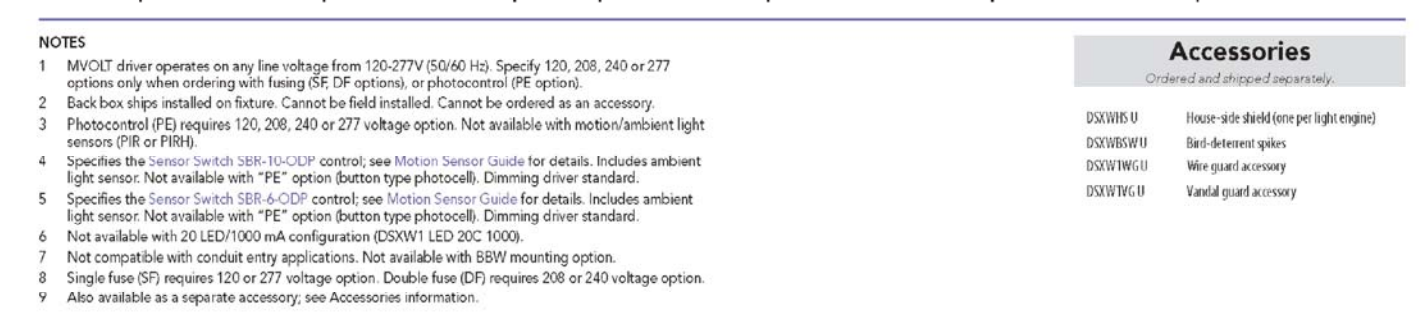
Series	LEDs	Drive current	Color temperature	Distribution	Voltage	Mounting	Control options	Other options	Finish (standard)
DSX1 LED	10C 10 LEDs (line voltage) 200W	350 530 mA	3000K 4000K	T25 Type 1 Short	120V 120V	SHIPPED INCLUDED Surface mounting	PE Photoelectric cell, 10' dusk/dawn sensor	SHIPPED INSTALLED SF Single face (120, 277V) ¹	DBXDD Dark bronze
	20C 20 LEDs (line voltage) 400W	700 700 mA	3000K 4000K	T25 Type 1 Short	120V 120V	SHIPPED INCLUDED Surface mounting	PE Photoelectric cell, 10' dusk/dawn sensor	SHIPPED INSTALLED SF Single face (120, 277V) ¹	DBXDD Dark bronze
	30C 30 LEDs (line voltage) 600W	1050 1050 mA	3000K 4000K	T25 Type 1 Short	120V 120V	SHIPPED INCLUDED Surface mounting	PE Photoelectric cell, 10' dusk/dawn sensor	SHIPPED INSTALLED SF Single face (120, 277V) ¹	DBXDD Dark bronze
	40C 40 LEDs (line voltage) 800W	1400 1400 mA	3000K 4000K	T25 Type 1 Short	120V 120V	SHIPPED INCLUDED Surface mounting	PE Photoelectric cell, 10' dusk/dawn sensor	SHIPPED INSTALLED SF Single face (120, 277V) ¹	DBXDD Dark bronze
	50C 50 LEDs (line voltage) 1000W	1750 1750 mA	3000K 4000K	T25 Type 1 Short	120V 120V	SHIPPED INCLUDED Surface mounting	PE Photoelectric cell, 10' dusk/dawn sensor	SHIPPED INSTALLED SF Single face (120, 277V) ¹	DBXDD Dark bronze



LITHONIA LIGHTING
One Lithonia Way • Corvair, Georgia 30012 • Phone: 800-279-8041 • Fax: 770-918-1209 • www.lithonia.com



Series	Performance Package	Distribution	Voltage	Mounting	Control Options	Other Options	Finish (standard)
DSXW1 LED	10C 10 LEDs (line voltage) 200W	T25 Type 1 Short	120V 120V	SHIPPED INCLUDED Surface mounting	PE Photoelectric cell, 10' dusk/dawn sensor	SHIPPED INSTALLED SF Single face (120, 277V) ¹	DBXDD Dark bronze
	20C 20 LEDs (line voltage) 400W	T25 Type 1 Short	120V 120V	SHIPPED INCLUDED Surface mounting	PE Photoelectric cell, 10' dusk/dawn sensor	SHIPPED INSTALLED SF Single face (120, 277V) ¹	DBXDD Dark bronze
	30C 30 LEDs (line voltage) 600W	T25 Type 1 Short	120V 120V	SHIPPED INCLUDED Surface mounting	PE Photoelectric cell, 10' dusk/dawn sensor	SHIPPED INSTALLED SF Single face (120, 277V) ¹	DBXDD Dark bronze
	40C 40 LEDs (line voltage) 800W	T25 Type 1 Short	120V 120V	SHIPPED INCLUDED Surface mounting	PE Photoelectric cell, 10' dusk/dawn sensor	SHIPPED INSTALLED SF Single face (120, 277V) ¹	DBXDD Dark bronze
	50C 50 LEDs (line voltage) 1000W	T25 Type 1 Short	120V 120V	SHIPPED INCLUDED Surface mounting	PE Photoelectric cell, 10' dusk/dawn sensor	SHIPPED INSTALLED SF Single face (120, 277V) ¹	DBXDD Dark bronze



LITHONIA LIGHTING
One Lithonia Way • Corvair, Georgia 30012 • Phone: 800-279-8041 • Fax: 770-918-1209 • www.lithonia.com

REVISIONS		
No.	Description	Date
1		
2		
3		

AutoZone Store No. 6713
MAIN STREET
FORT BRAGG CA 95437
PHOTOMETRIC PLAN

Architect: --
123 South Front Street
Memphis, Tennessee 38103
TEL: 901-495-8714 FAX: (901) 495-8969
For Bidding & Contractor Information Contact:
McGraw - Hill Construction Tel. 615-884-1017
www.construction.com

11-29-18
7N2-R
PH1

