



PROJECT DIRECTOR:
 FARAH CHAUDHARY
 PHONE: +1 (916) 793-4048
 Farah@theboulevard.us

PROJECT MANAGER:
 M HAMAYOON BAHEZ
 +1 (916) 477-0102
 hamayoon@theboulevard.us

ARCHITECT OF RECORD:
BOULEVARD
 Construction
 4080 TRUXEL ROAD, SUITE 100,
 SACRAMENTO, CA, US 95834
 Website: https://theboulevard.us
 Call: +1(916) 330-4200
 FAX NO: (916) 914-2215
 Email: info@theboulevard.us

PROJECT:
 105 S MAIN ST, FORT
 BRAGG, CA 95437-4207

Assessor Parcel # 008-161-10-00

REVISIONS:	DATE:	DESCRIPTION	BY:

CURRENT ISSUE DATE:
 02-05-24

ISSUED FOR:

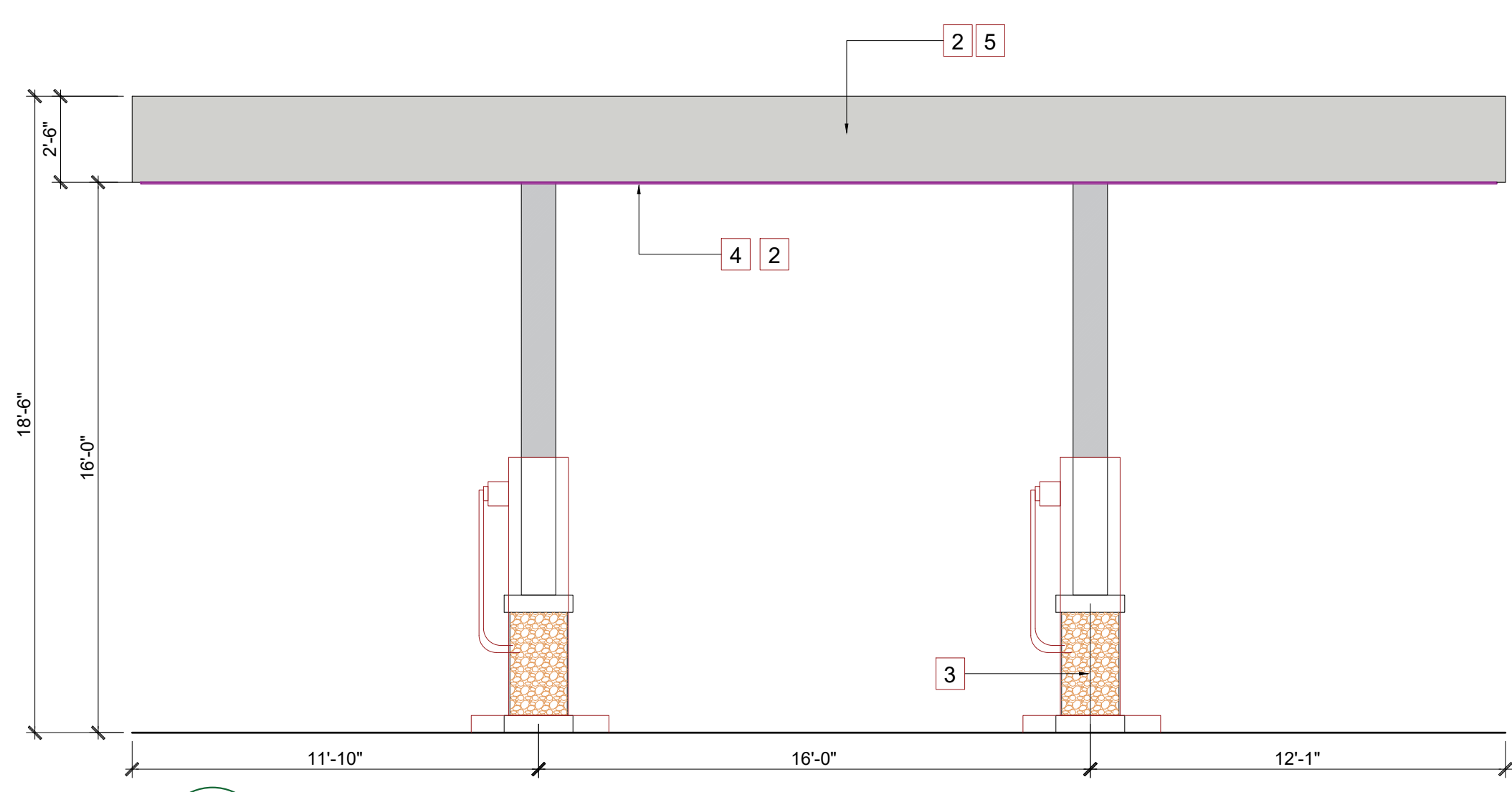
CONTROL NO.:

DRAWN BY: BOULEVARD
CHECKED:
APPROVED:

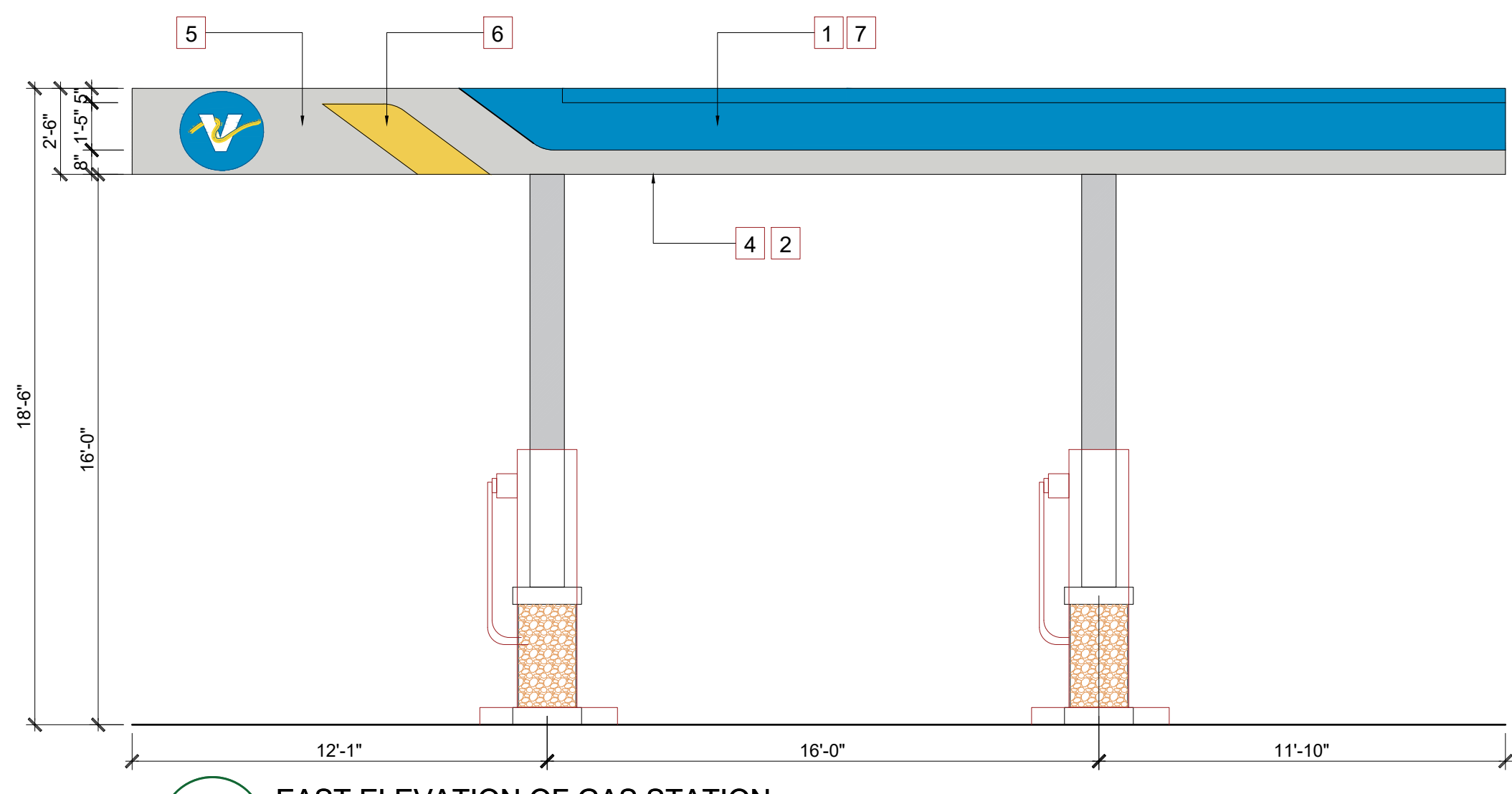
SHEET TITLE:
 GAS STATION ELEVATIONS

SHEET #

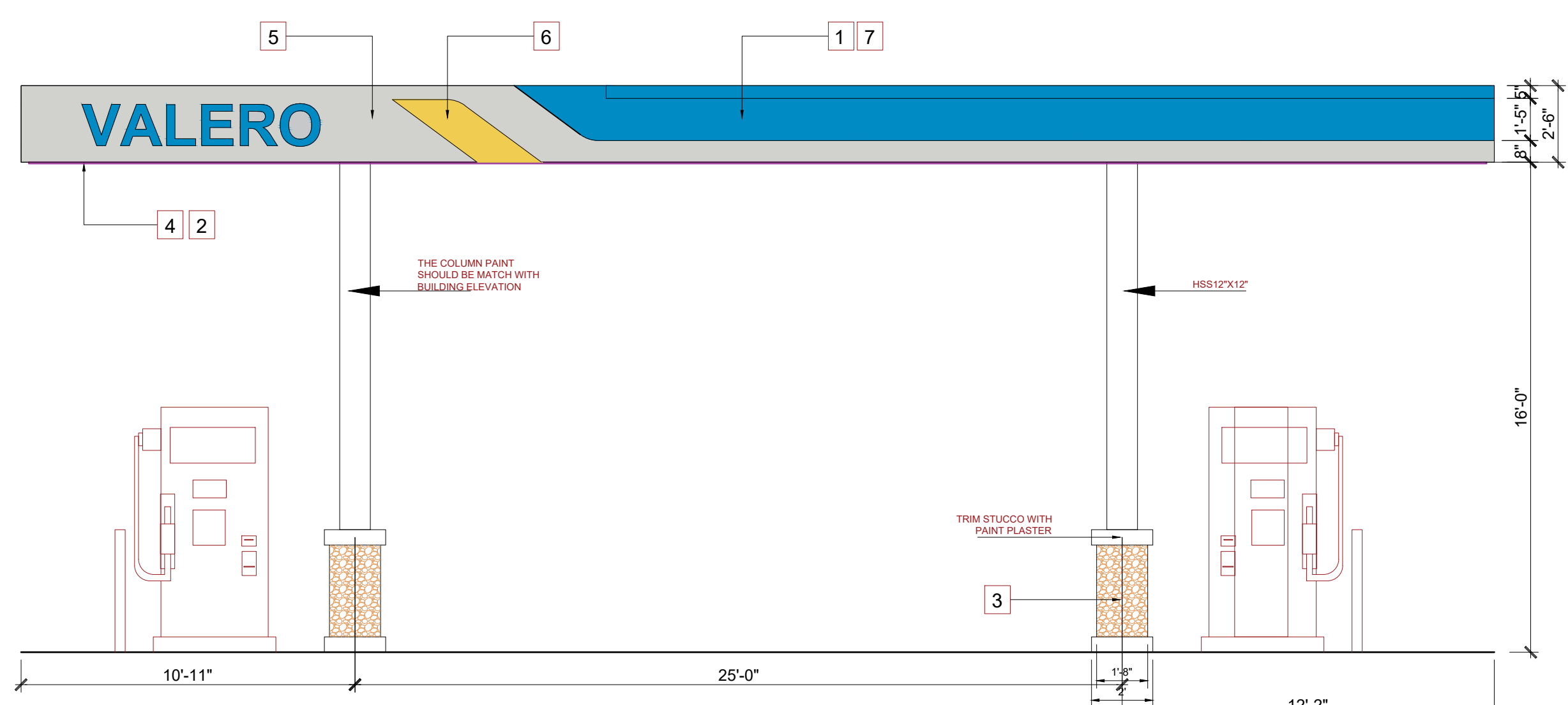
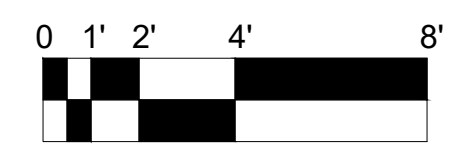
A-1.1



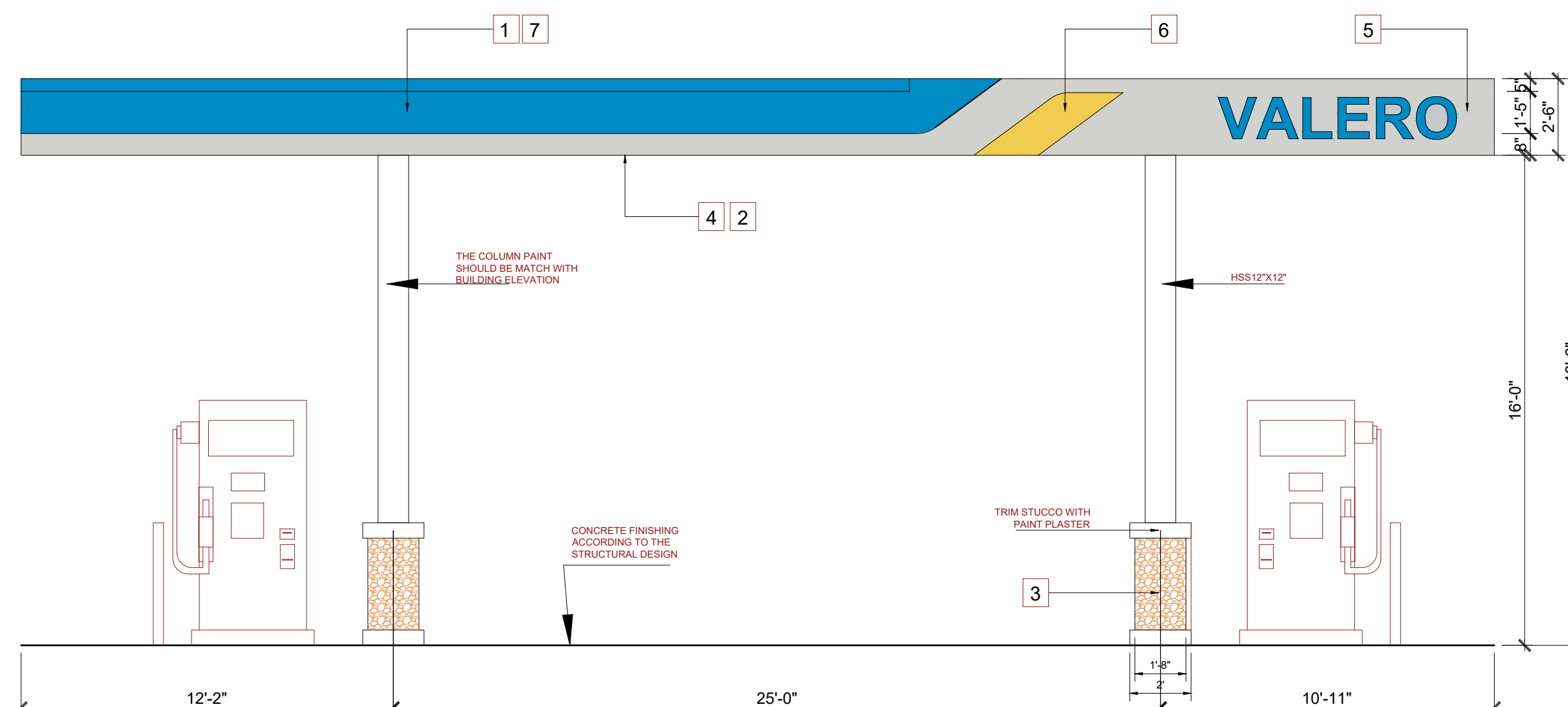
A-1.1 WEST ELEVATION OF GAS STATION
 SCALE: 1/4"=1'-0"



A-1.1 EAST ELEVATION OF GAS STATION
 SCALE: 1/4"=1'-0"



A-1.1 NORTH ELEVATION OF GAS STATION
 SCALE: 1/4"=1'-0"

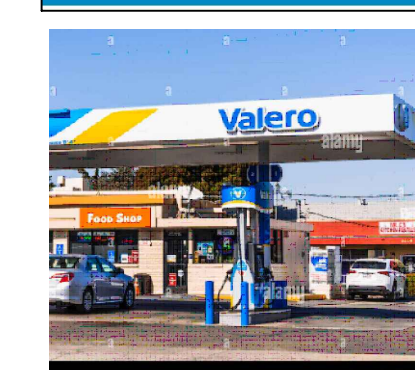
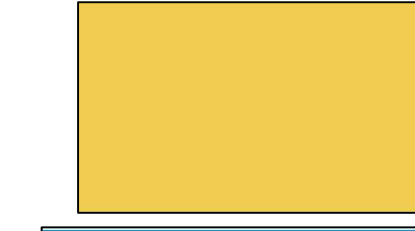
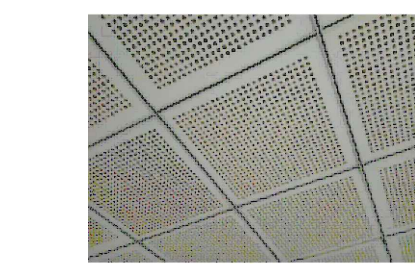
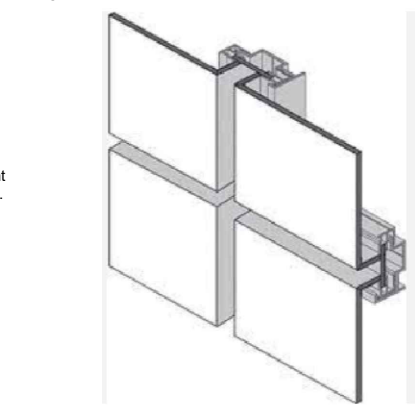
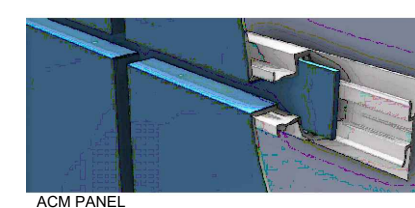


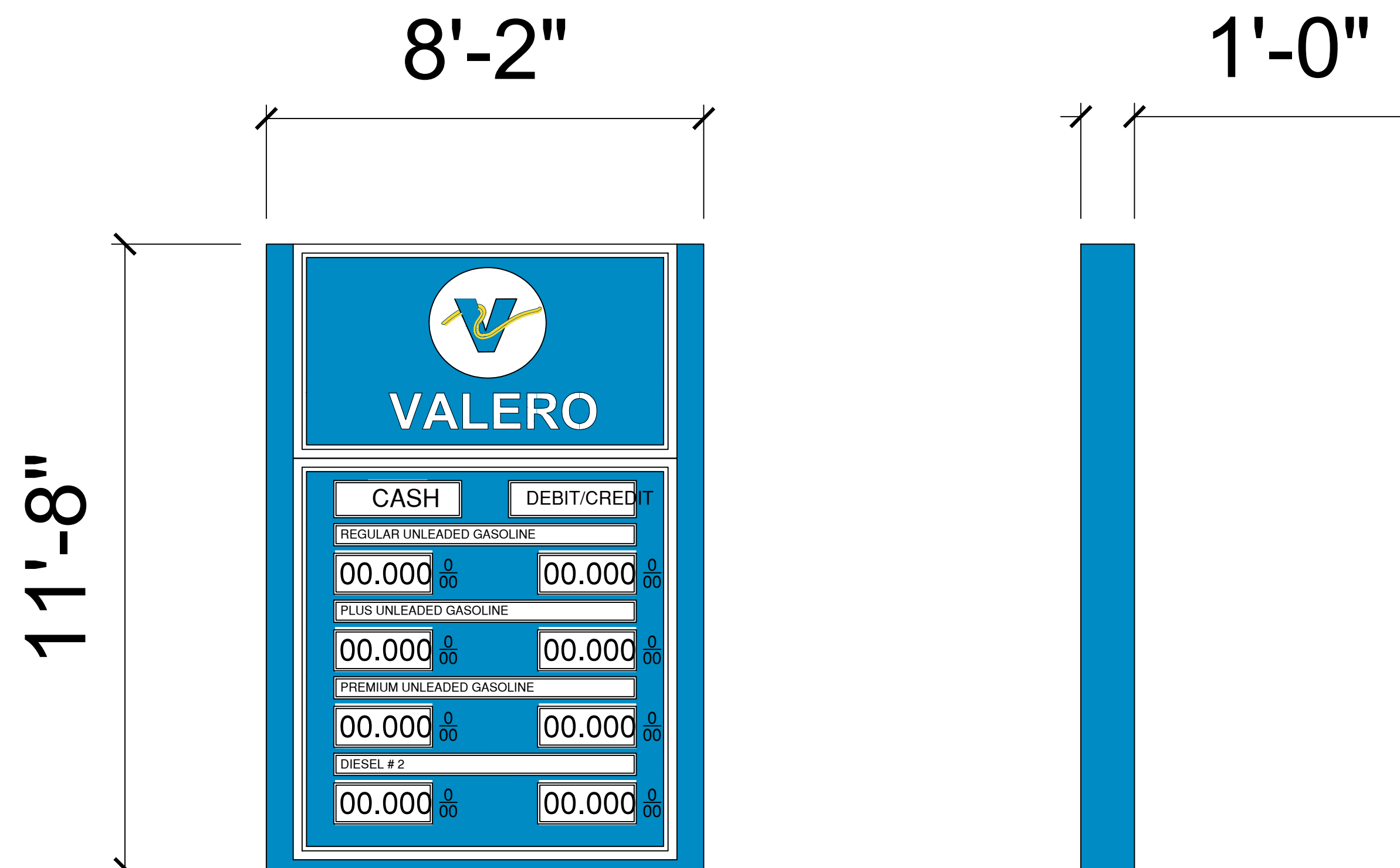
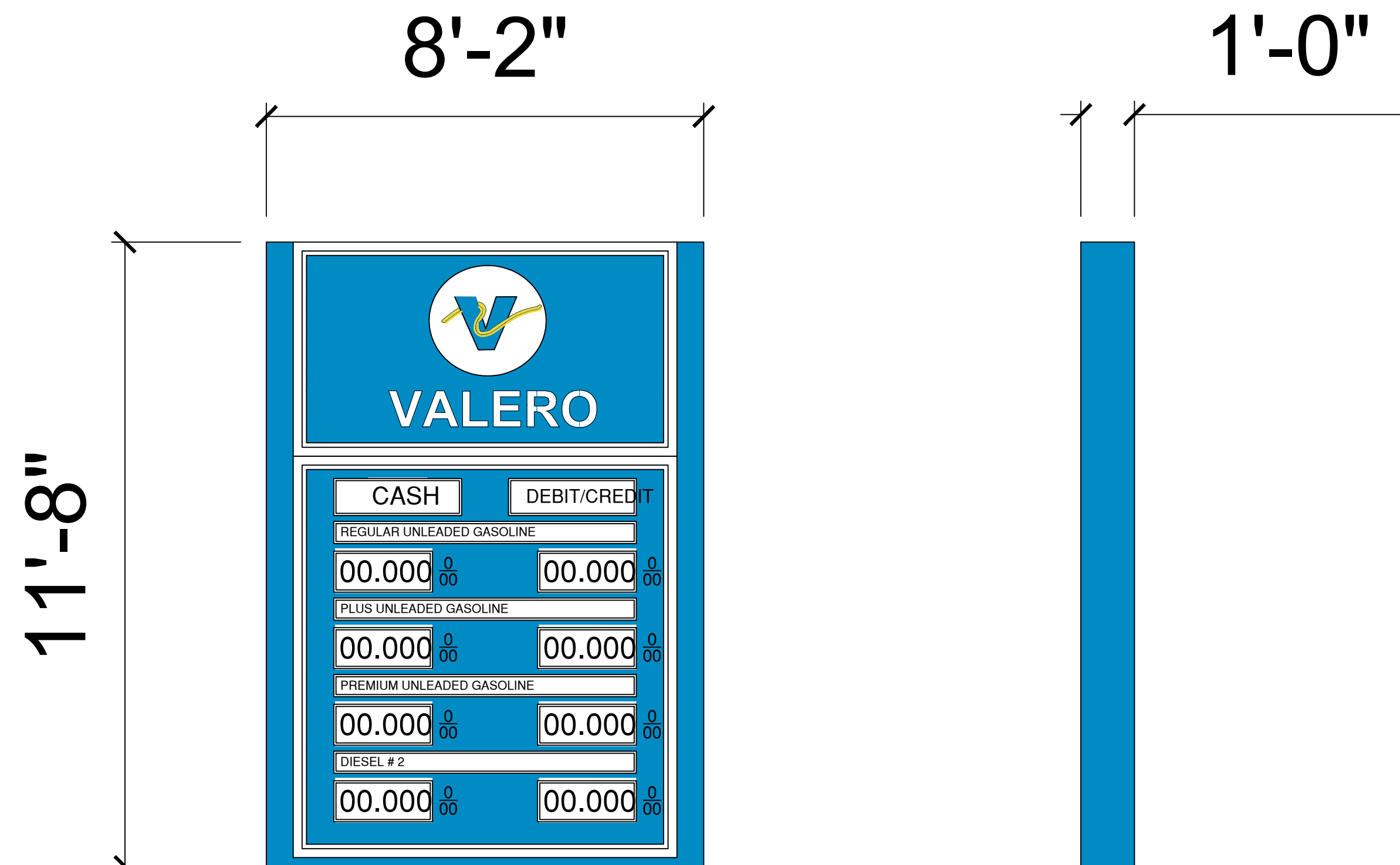
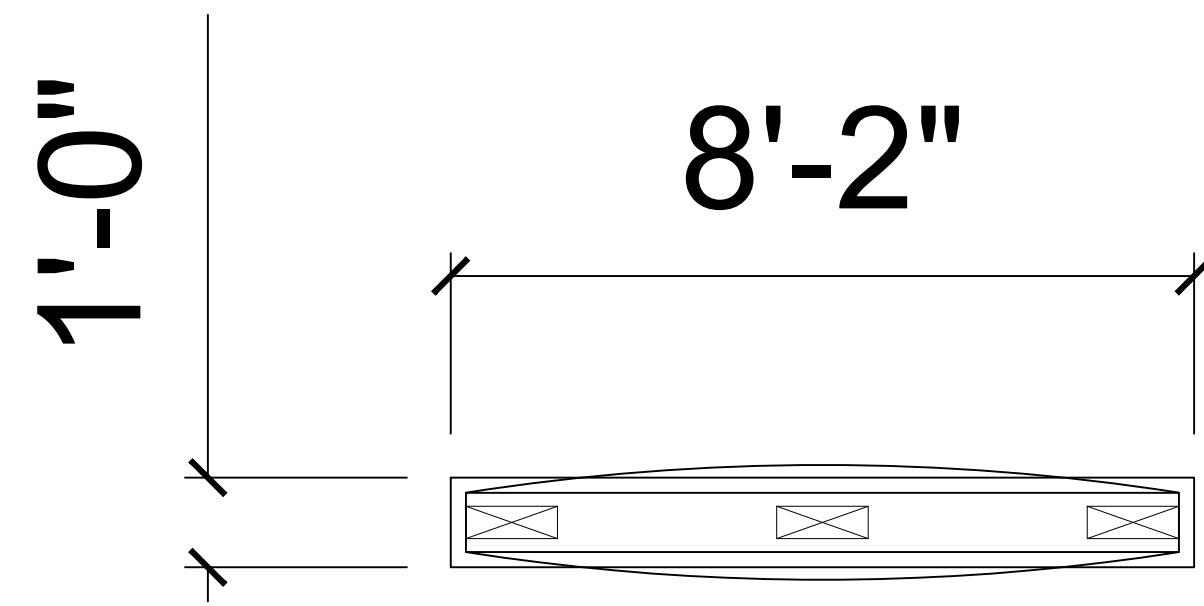
A-1.1 SOUTH ELEVATION OF GAS STATION
 SCALE: 1/4"=1'-0"

FINISHES FOR ELEVATION FOR THE CANOPY

NOTE:
 All fasteners are made of corrosion-free steel or stainless steel material.
 Our ACM panels employ a concealed-clip fastening system, which provides for a smooth and clean unobstructed surface-look.
 Corrugated and extruded aluminum panel systems are installed with either hidden clips or exterior fasteners, which provide architectural accent.

- 1 Aluminum Composite Material
- 2 (POLIC 6) Program Metallic aluminum composite material finishes present you with a full array of unique and eye catching metallic colors.
- 3 ELDORADO STONE: STACKED STONE - KORYAK RIDGE, FAUX STONE VENEER (INDOOR/OUTDOOR WALL)
- 4 Metal Ceiling Aluminum Perforated False Ceiling
- 5 HALATION PPL09-15 INTERIOR/EXTERIOR PAINT & PRIMER COLOR SAMPLE
- 6 RADIANT SUN F310-6 INTERIOR/EXTERIOR PAINT & PRIMER COLOR SAMPLE
- 7 CELEBRATION BLUE M04-57 INTERIOR/EXTERIOR PAINT & PRIMER COLOR SAMPLE






GAS STATION CANOPY

MODEL	GSY 0005
LIGHTSOURCE	LED
TYPE	GAS STATION EQUIPMENT
LIGHT POWER	110V
COLOR	see sheet 1.1
CONFIGURATION	STANDARD
TOTAL SIZE	40X48 FT
WIND RESISTANCE	12 LEVEL
MATERIAL	STEEL ALUMINUM PLATE 8 CHARACTER LED , ACRYLIC PLATE, LUMINOUS CHARACTER

Product Details
Customization and installation technology for gas station tower signs

The gas station logo design refers to the independent logo that expresses the corporate image. It embodies the image, culture and spirit of the company. It usually also indicates the current oil price at the time, with guiding and introducing functions. The production materials are mainly made of stainless steel and led lights. , paint, acrylic, steel pipe, etc., the specific process depends on the design drawings.

CANOPY SIGN :					
NO.	SIGN FOR	NAME OF SIGN AND MARK	SIZE	NUMBERS	SQUARE FEET
A1	CANOPY SIGN	VALERO	1'-4"X7'-9"	2	20.6 SF
		 1.5'DIA		1	9.4 SF
MONUMENT SIGN :					28 SF
A2	MONUMENT SIGN		11'-8"X8'-2"	1	95 SF
					95 SF
TOTAL					123 SF



PROJECT DIRECTOR:
FARAH CHAUDHARY
PHONE: +1 (916) 793-4048
Farah@theboulevard.us

PROJECT MANAGER:
M HAMAYOON BAHEZ
+1 (916) 477-0102
hamayoon@theboulevard.us

ARCHITECT OF RECORD :
BOULEVARD
Construction
4080 TRUXEL ROAD, SUITE 100,
SACRAMENTO, CA, US 95834
Website: https://theboulevard.us
Call: +1(916) 330-4200
FAX NO: 1(916) 914-2215
Email: Info@theboulevard.us

PROJECT:
105 S MAIN ST, FORT
BRAGG, CA 95437-4207

Assessor Parcel # 008-161-10-00

REVISIONS:	DATE:	DESCRIPTION:	BY:

CURRENT ISSUE DATE:
02-05-24

ISSUED FOR :

CONTROL NO.:

DRAWN BY: **BOULEVARD**

CHECKED:

APPROVED:

SHEET TITLE:
SIGNAGE PLAN

SHEET #

C-3.0