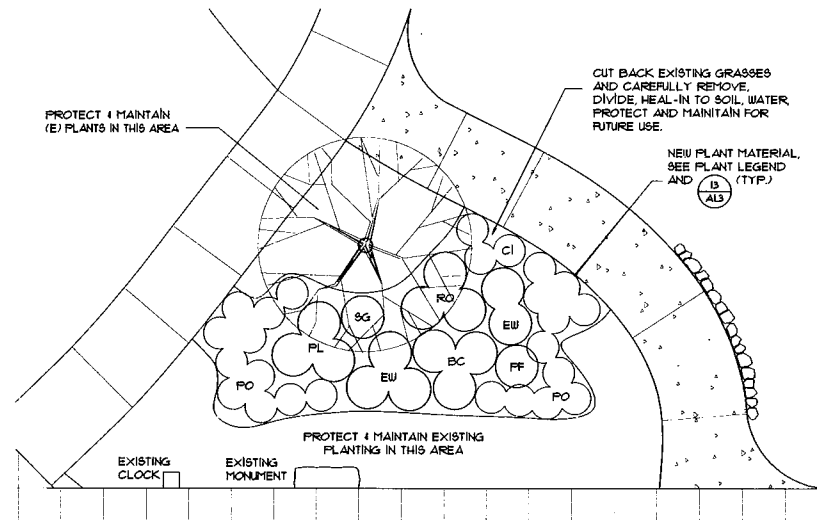
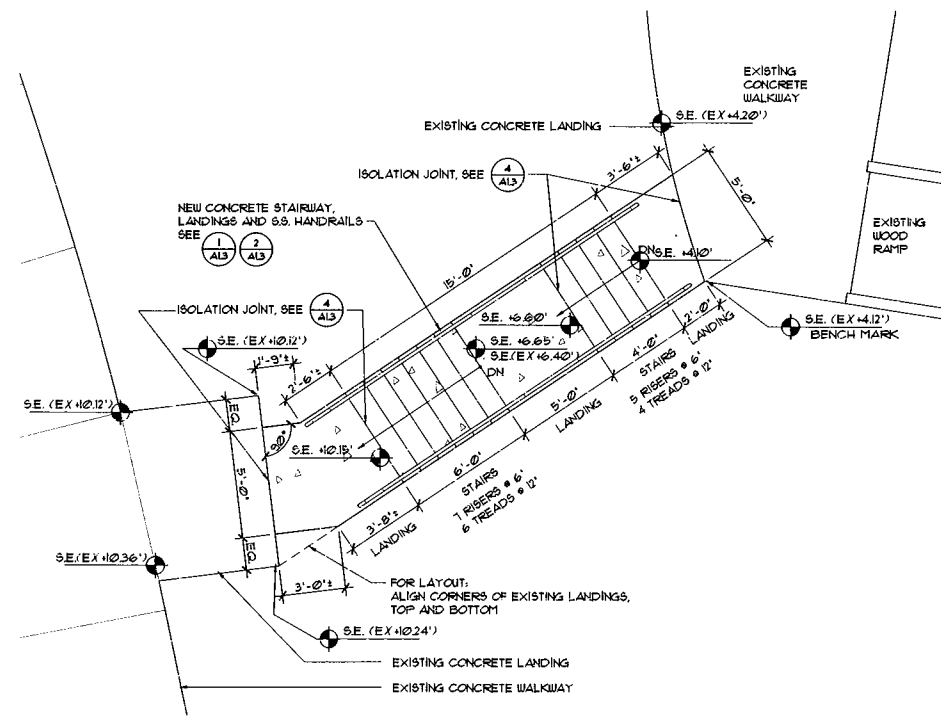


**PLANT LEGEND**

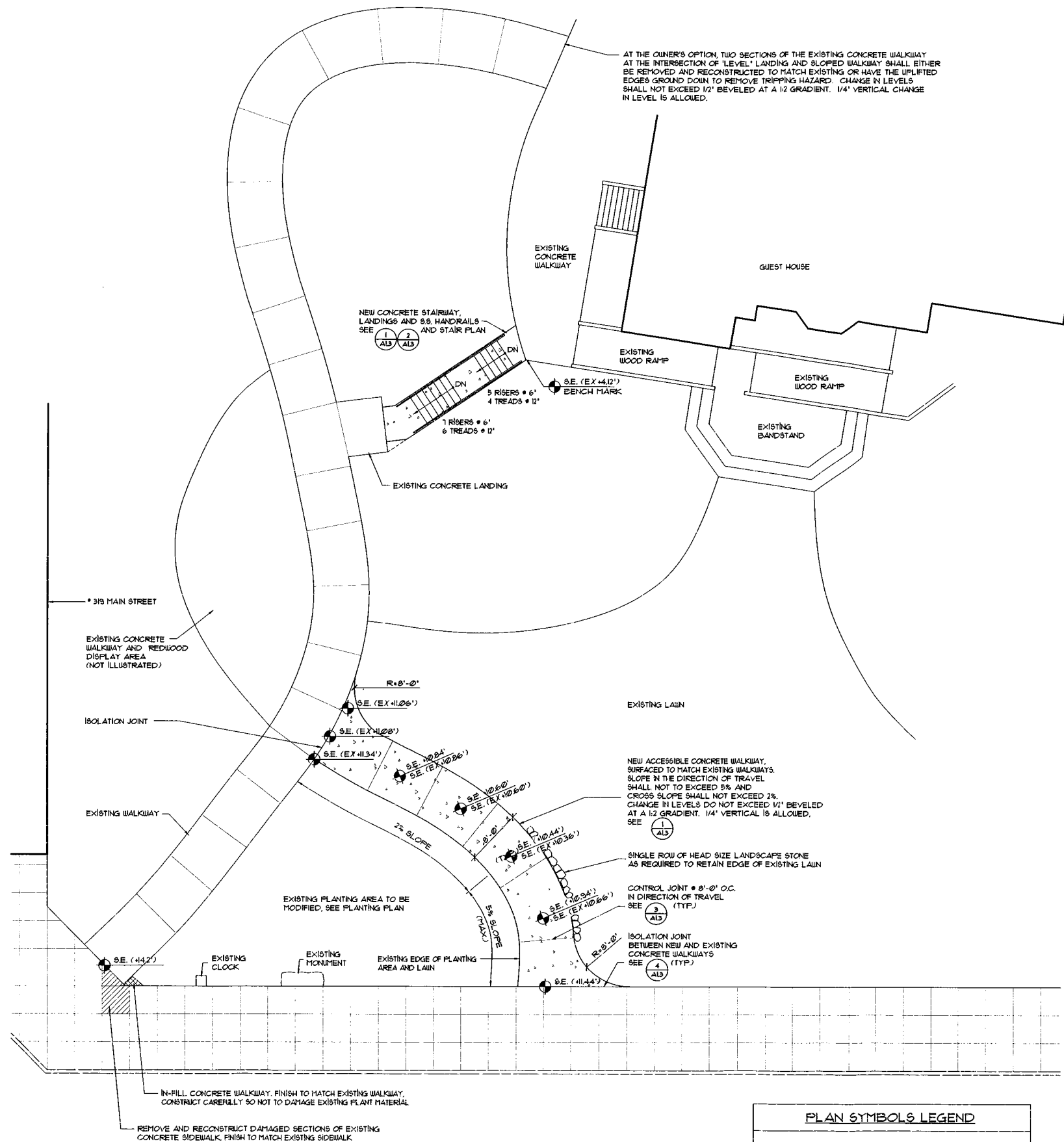
Quantity	Symbol	Botanical Name	Size
3	BC	Barberis thunbergii 'Cherry Bomb'	5 gal
3	CS	Correa 'Ivory Bells'	2 gal
1	EW	Euphorbia characias 'Wulfenii'	2 gal
22	PO	Pennisetum 'Orientale'	2 gal
1	PF	Phlomis frutescens	5 gal
3	PL	Phlomis lanata	5 gal
3	RO	Rosmarinus o. 'Collingwood Ingram'	5 gal
1	SG	Salvia gregii 'Hot Lips'	5 gal



**PLANTING PLAN**  
SCALE: 1/8" = 1'-0"



**STAIR PLAN**  
SCALE: 1/4" = 1'-0"



**PARTIAL SITE PLAN**  
SCALE: 1/8" = 1'-0"

**PLAN SYMBOLS LEGEND**

- 9.E. (+0.00) SPOT ELEVATION - PROPOSED
- 9.E. (+0.00) SPOT ELEVATION - EXISTING

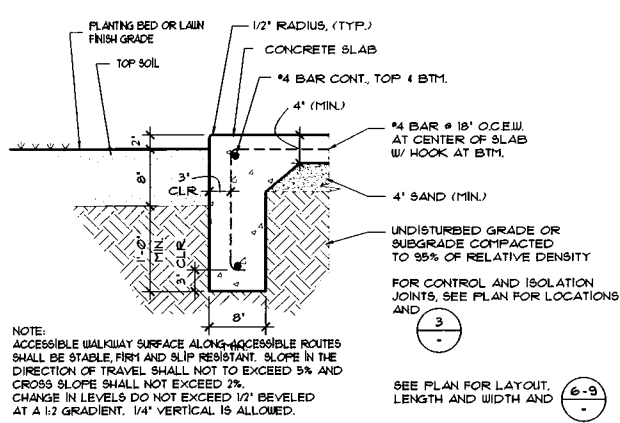
A PUBLIC IMPROVEMENT FOR:  
**THE CITY OF FORT BRAGG**  
**GUEST HOUSE GROUNDS**  
 MAIN STREET  
 FORT BRAGG, California 95437

DATE	OCTOBER 16, 2013
REVISIONS	

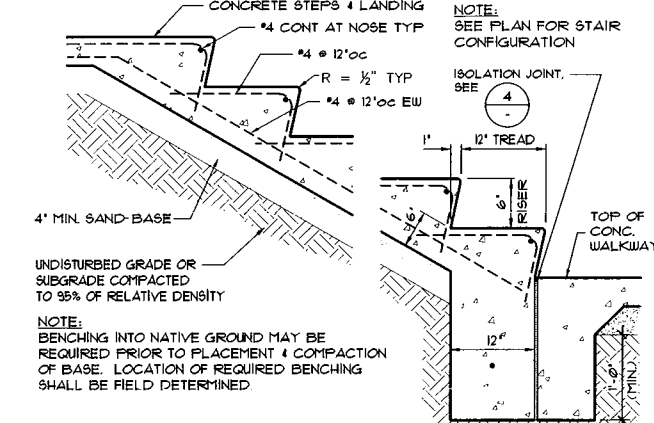
DRAWN  
 TN  
 CHECKED  
 TN  
 SCALE  
 AS NOTED  
 SHEET

**A1.2**

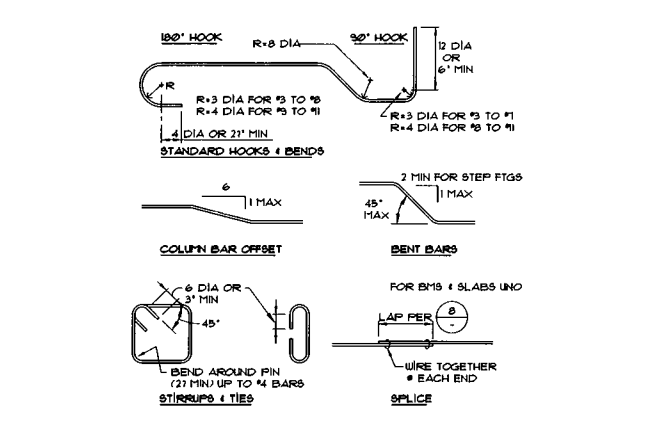
**SITE PLAN**



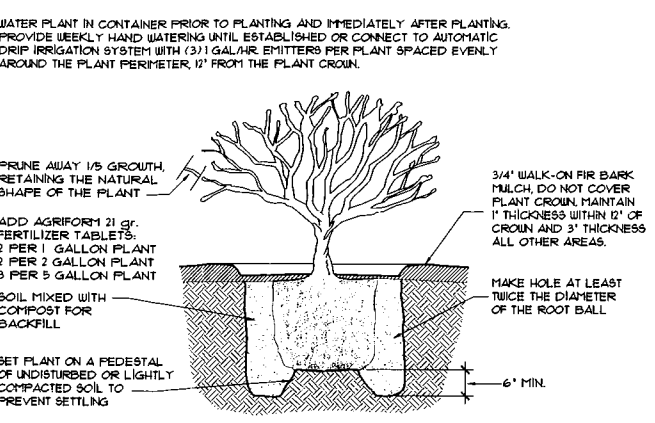
1 TYPICAL FLATWORK SCALE: 1" = 1'-0"



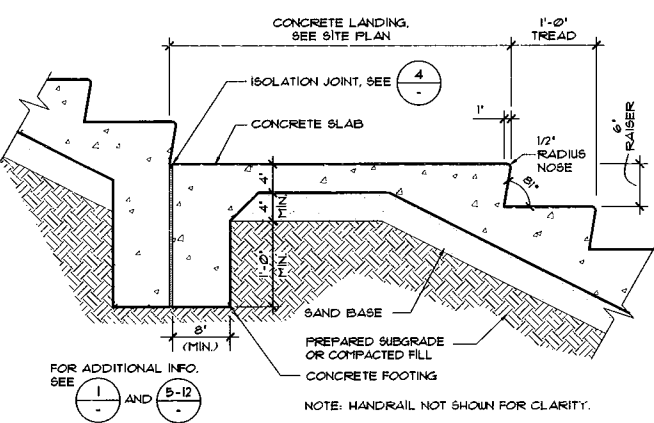
5 CONCRETE STAIRS SCALE: 1" = 1'-0"



9 REINFORCING STEEL DATA

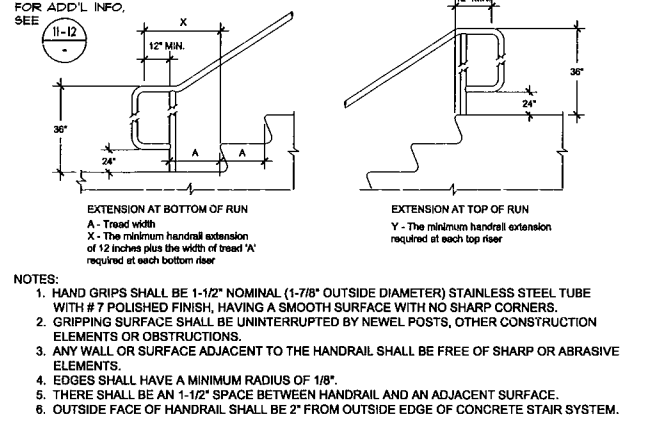


13 SHRUB AND PERENNIAL PLANTING SCALE: 1/2" = 1'-0"



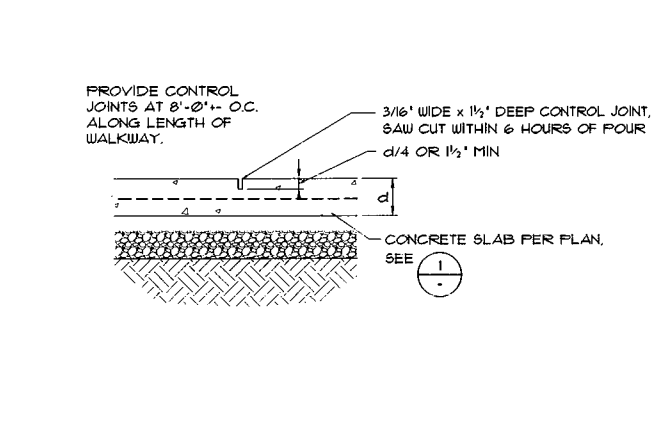
2 TYPICAL CONCRETE LANDING AND STAIRS SCALE: 1" = 1'-0"

- 6 CONCRETE NOTES
1. ALL CONCRETE SHALL CONFORM TO THE 2010 CALIFORNIA BUILDING CODE.
  2. ALL CONCRETE SHALL ATTAIN A STRENGTH OF 2,500 PSI WITHIN 28 DAYS, UNO.
  3. ALL CEMENT USED TO BE TYPE I OR TYPE II OF ASTM-C-150.
  4. DRYPACK TO BE COMPOSED OF 1 PART PORTLAND CEMENT TO NOT MORE THAN THREE PARTS SAND.
  5. CONCRETE SHALL BE CURED BY KEEPING CONTINUOUSLY WET FOR 48 HOURS OR BY AN APPROVED CURING COMPOUND (UNO).
  6. ALL REINFORCING STEEL, ANCHOR BOLTS AND OTHER INSETS TO BE ACCURATELY PLACED AND SECURED SO THAT THEY WILL NOT BE DISPLACED.
- 7 REINFORCING STEEL NOTES
1. ALL CONTOL AND ISOLATION JOINT LOCATIONS TO BE APPROVED BY ARCHITECT, IF NOT NOTED ON DRAWINGS.



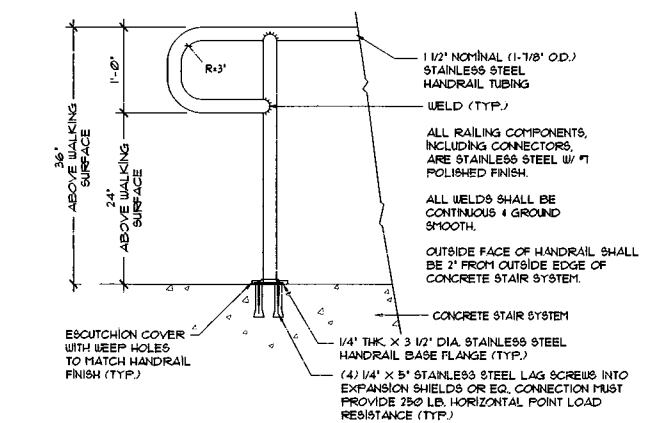
10 HANDRAIL AT STAIRS SCALE: NONE

- 14 NOT USED



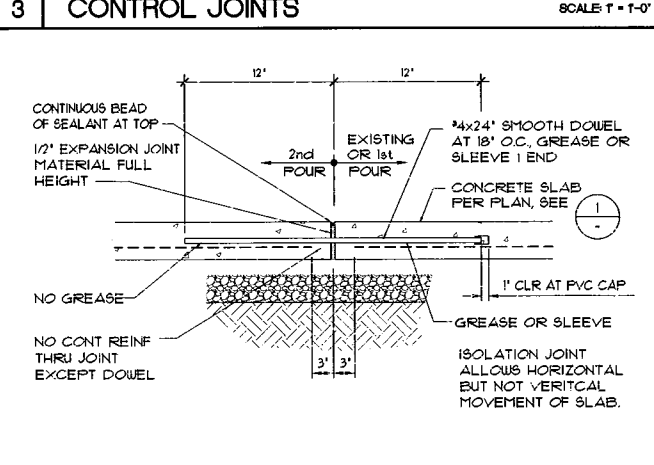
3 CONTROL JOINTS SCALE: 1" = 1'-0"

1. ALL REINFORCING STEEL SHALL CONFORM TO ASTM (A615M-40) FOR #4 BARS AND SMALLER AND ASTM (A706M-60) FOR #5 BARS AND LARGER, UNLESS NOTED OTHERWISE.
2. USE LOW HYDROGEN ELECTRODES, GRADE (E-70) FOR WELDING OF REINFORCING BARS (IF APPLICABLE).
3. REINFORCING BARS MARKED CONTINUOUS TO BE SPLICED PER (8) (9) UNLESS NOTED OTHERWISE.
4. ALL REINFORCING SHALL BE SECURELY TIED AND BRACED IN PLACE PRIOR TO PLACEMENT OF CONCRETE.
5. ALL REINFORCING SHALL BE KEPT CLEAN AND FREE OF RUST.



11 HANDRAIL CONNECTIONS SCALE: 1" = 1'-0"

- 15 NOT USED



4 ISOLATION JOINTS SCALE: 1" = 1'-0"

8 REINFORCING STEEL DATA

MINIMUM BAR LAPS FOR REINFORCING STEEL CONCRETE STRENGTH: 2,500 PSI (STAGGER SPICES)					
SIZE	LAP LENGTH	SIZE	LAP LENGTH	SIZE	LAP LENGTH
#3	16"	#6	36"	#9	62"
#4	24"	#7	48"	#10	68"
#5	28"	#8	54"	#11	76"

MINIMUM BAR SPACING (INCLUDING LAPS): 2" CLR OR 1/2" x BAR DIAMETER. 1.5 x LAP EQUALS 150% LAP LENGTH REQUIRED

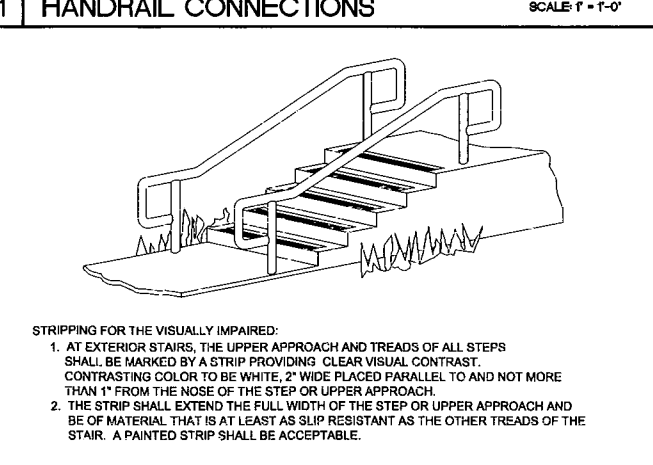
CONCRETE COVER FOR REINFORCING STEEL

CAST AGAINST EARTH OR GRADE	3"
EXPOSED TO EARTH OR WEATHER (FORMED)	1 1/2"
#5 & SMALLER	2"
#6 & LARGER	2"

NOT EXPOSED TO EARTH OR WEATHER

SLABS - FROM TOP OF CONC UNO	1"
	2"

ALL REINFORCING BARS SHALL EXTEND AS FAR AS POSSIBLE AND END IN A STANDARD 90° OR 180° HOOK UNLESS DETAILED OTHERWISE



12 VISUAL STRIPPING AT STAIRS SCALE: NONE

- 16 NOT USED



SITE DETAILS

A PUBLIC IMPROVEMENT FOR:  
THE CITY OF FORT BRAGG  
GUEST HOUSE GROUNDS  
MAIN STREET  
FORT BRAGG, California 95437

DATE: OCTOBER 16, 2013

REVISIONS


DRAWN: TN  
CHECKED: TN  
SCALE: AS NOTED  
SHEET: A1.3